

# **SINGER**

**45K1, 5,11**

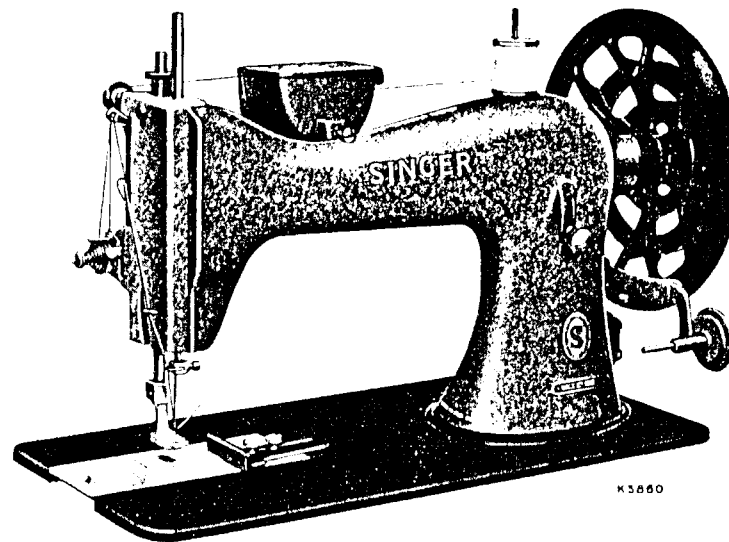
Form K6263  
Supersedes K5780

ILLUSTRATED  
LIST OF PARTS

FOR

**SINGER\*\***

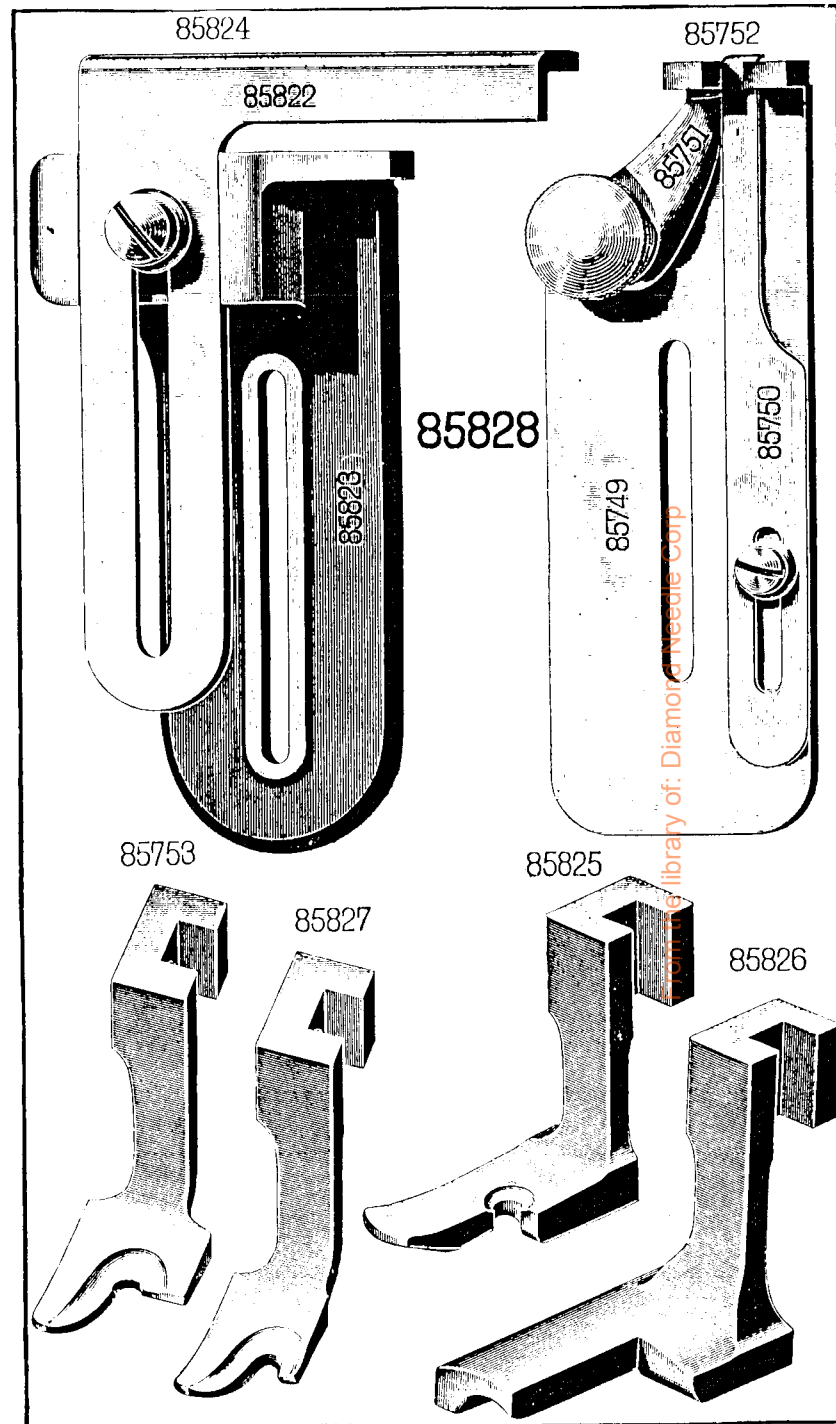
Machines Nos. 45K1, 45K5 and  
45K11

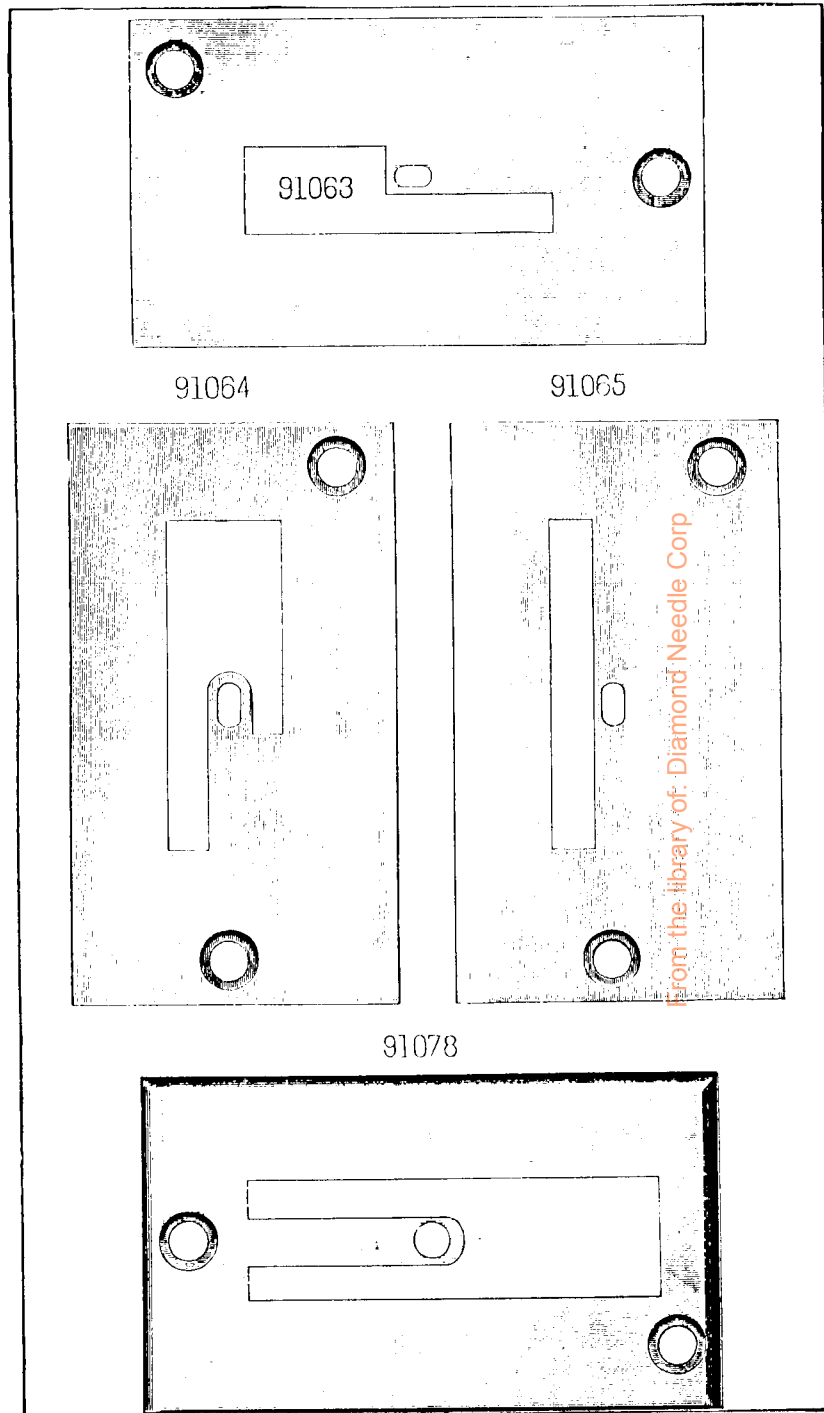
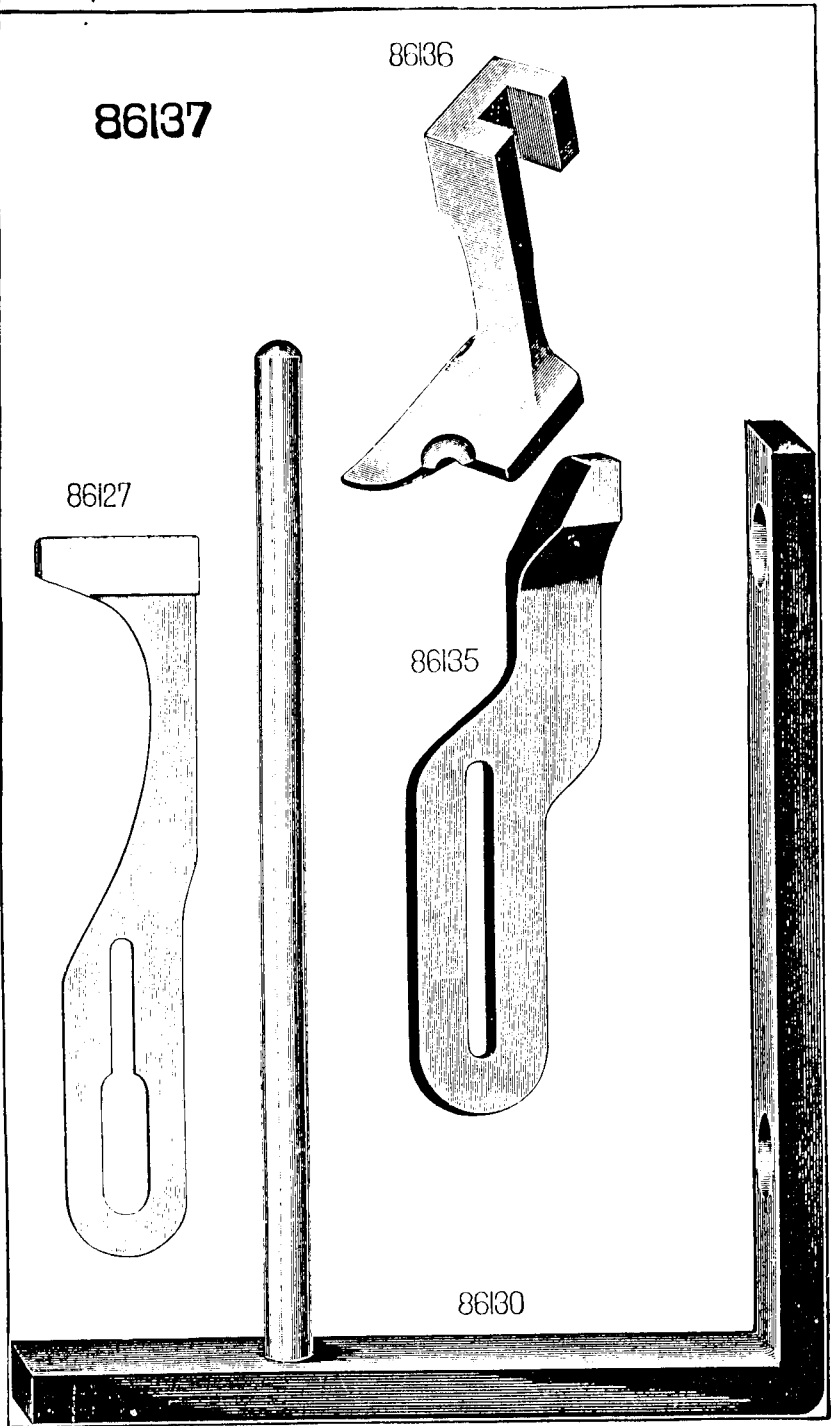


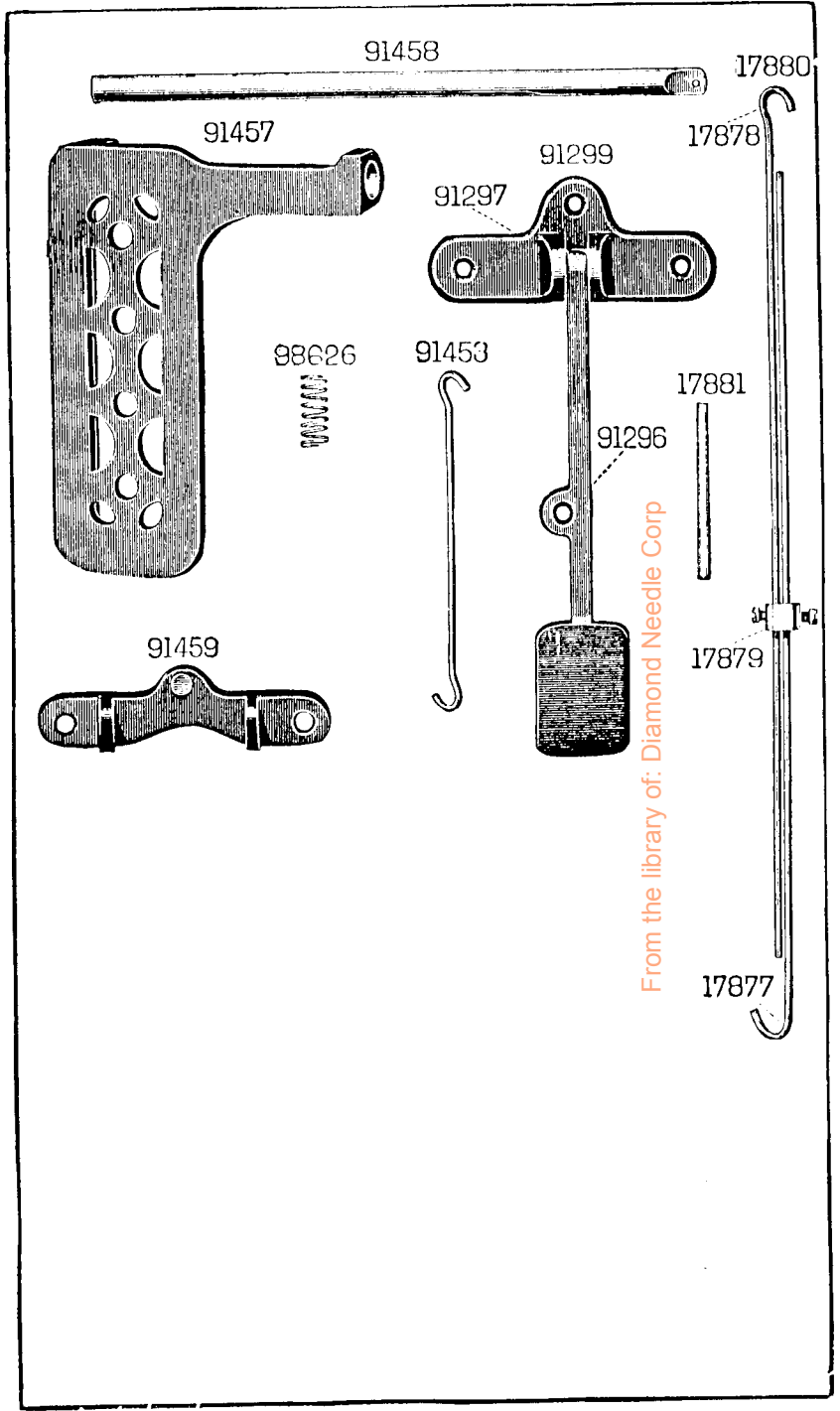
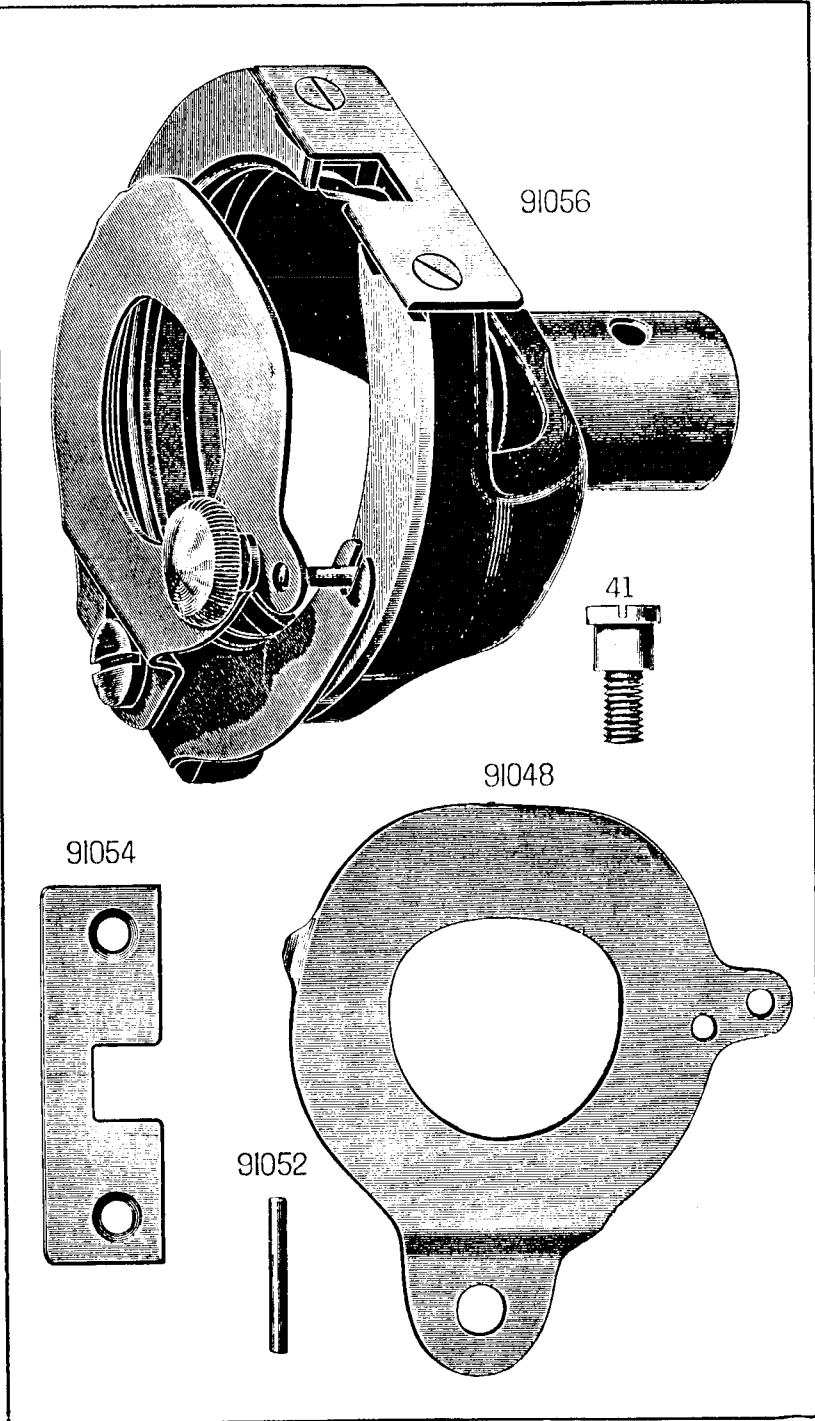
No. 45K1 Machine

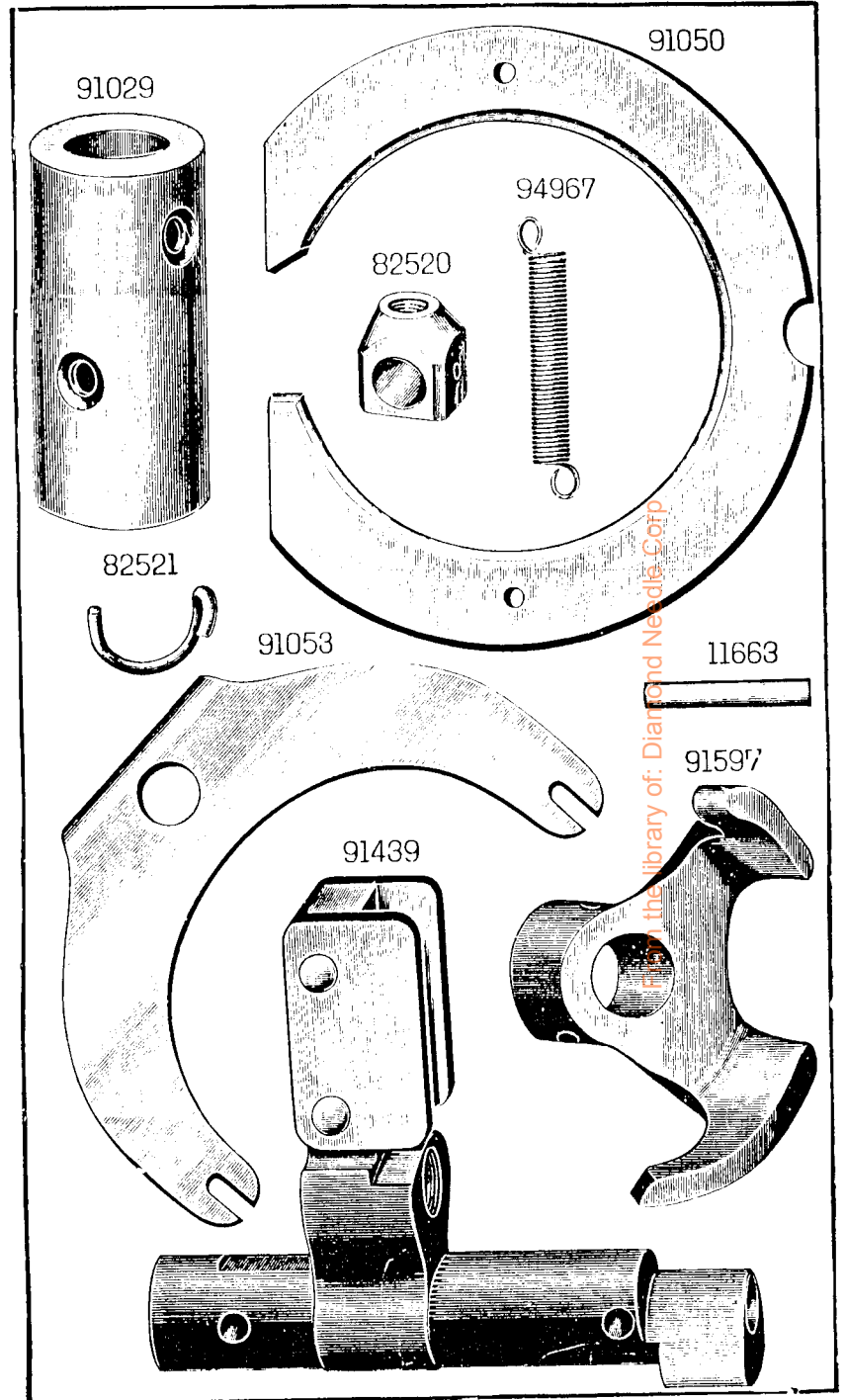
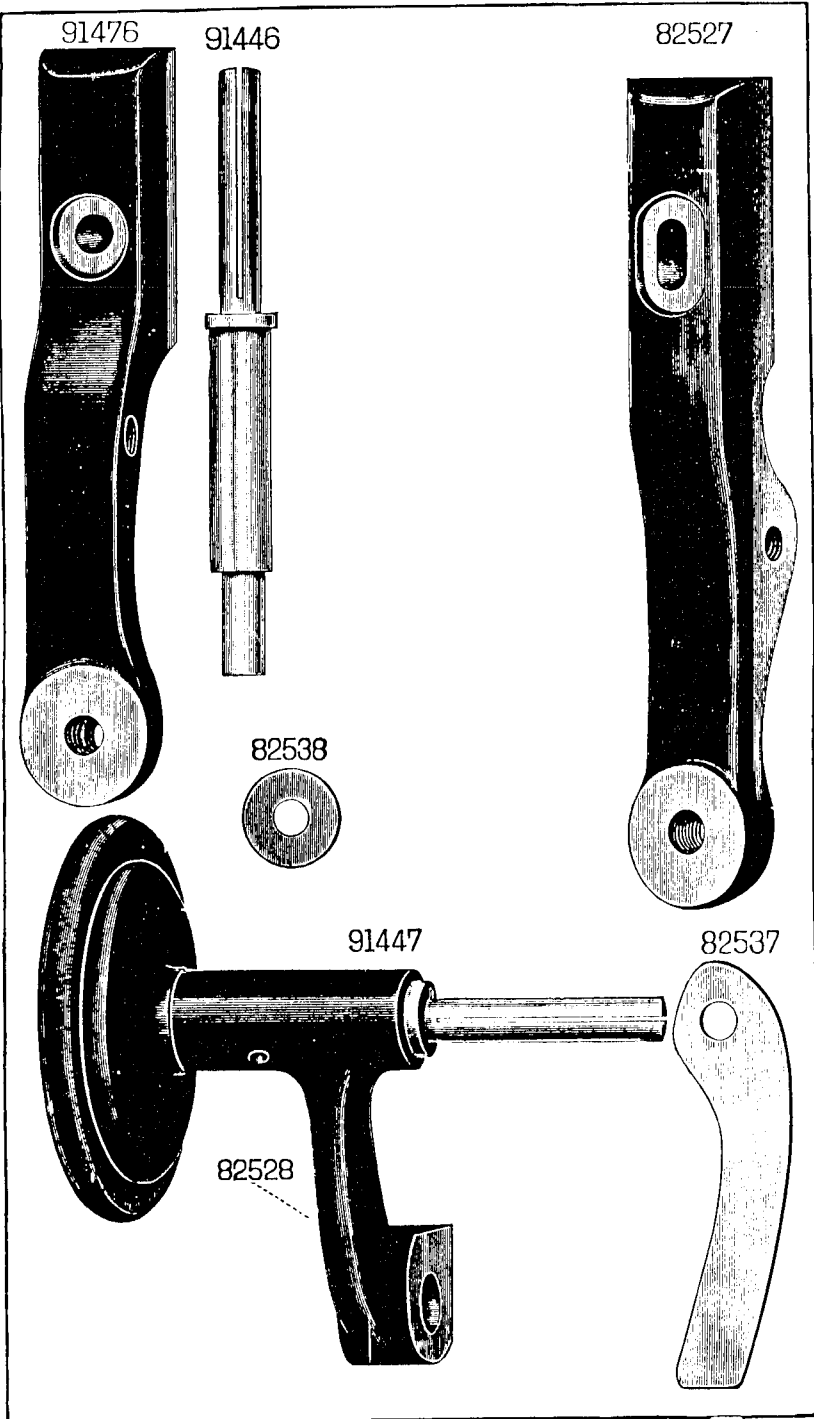
\*\*A Trademark of THE SINGER COMPANY

From the library of: Diamond Needle Corp

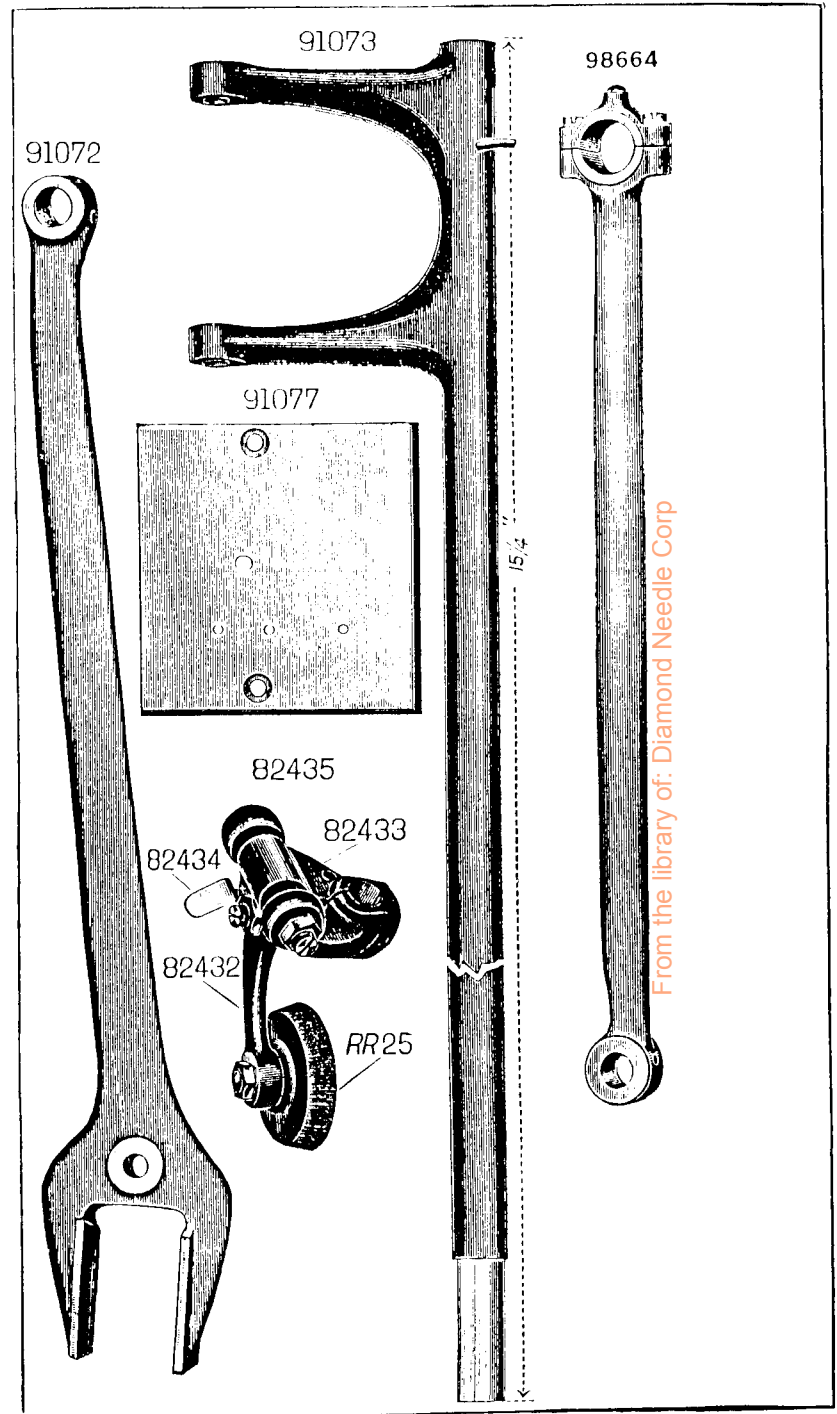
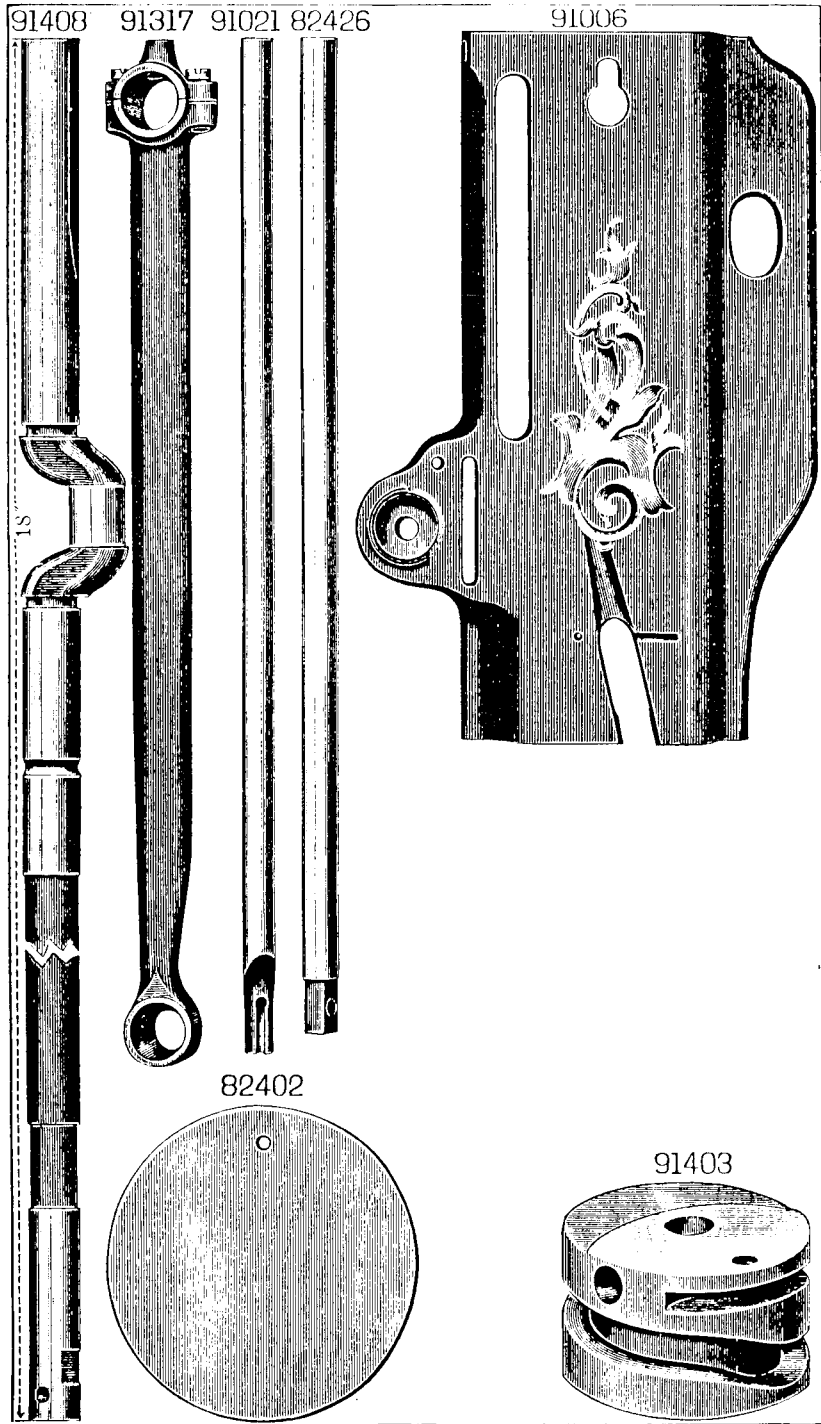




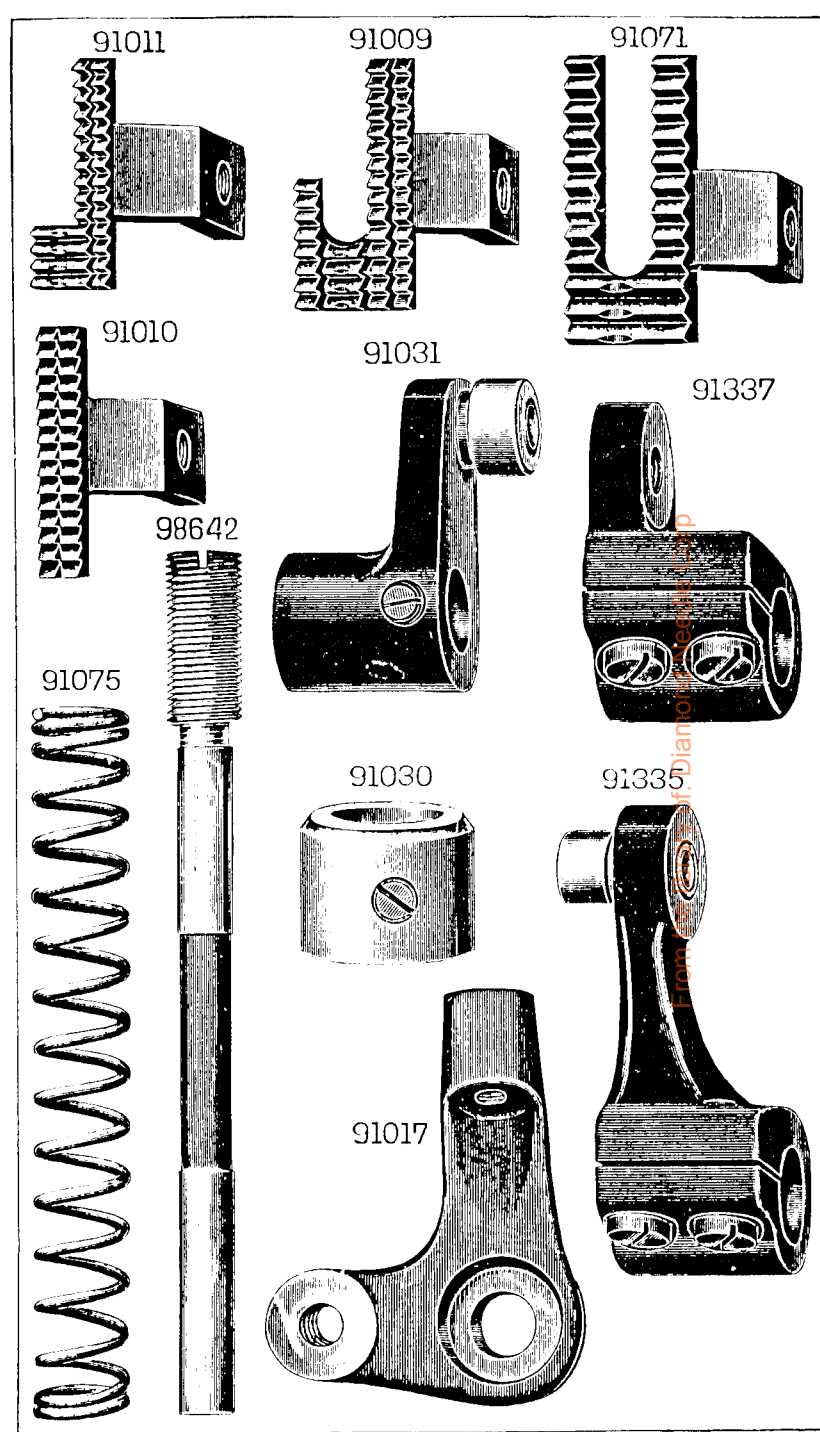
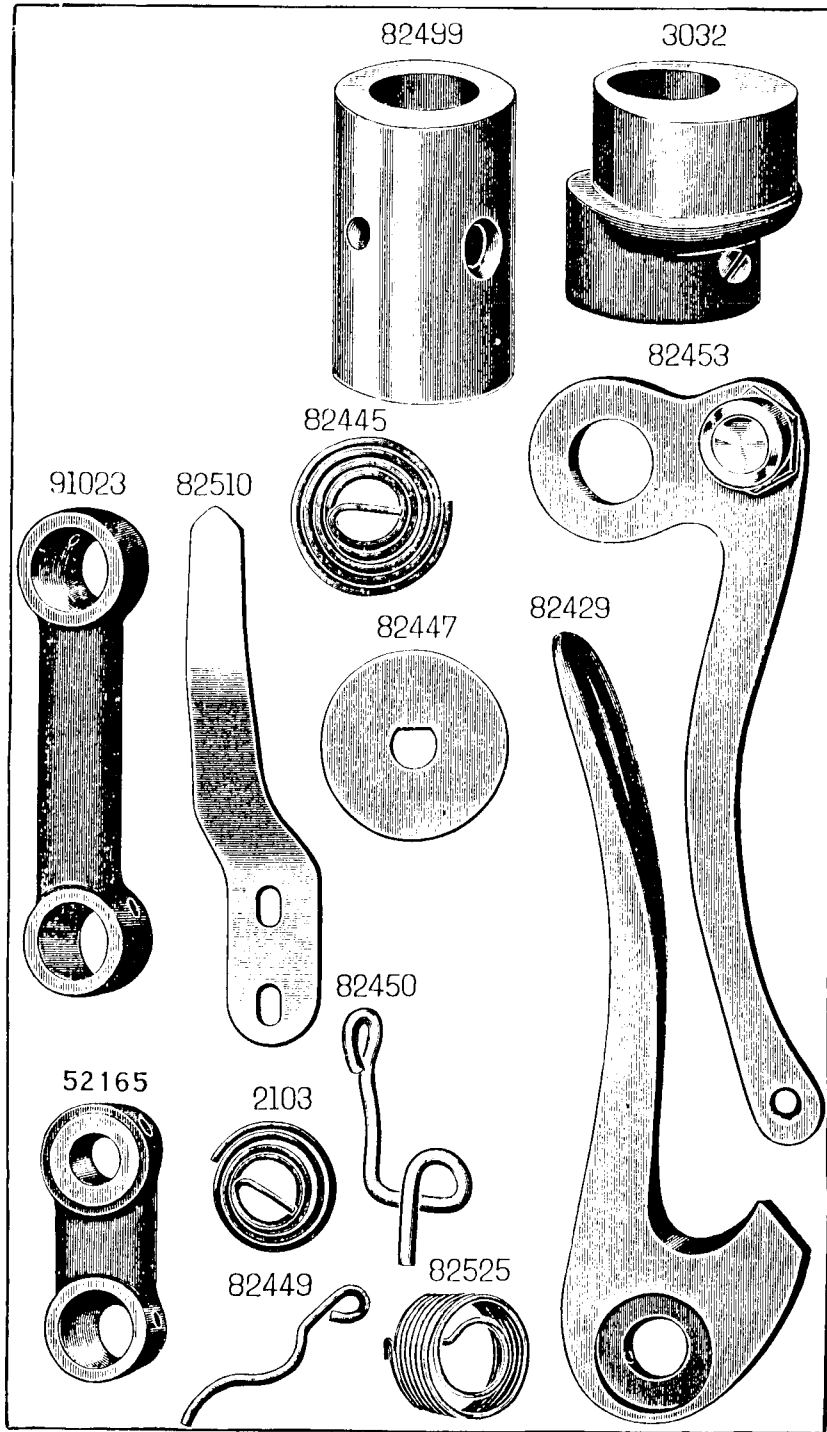




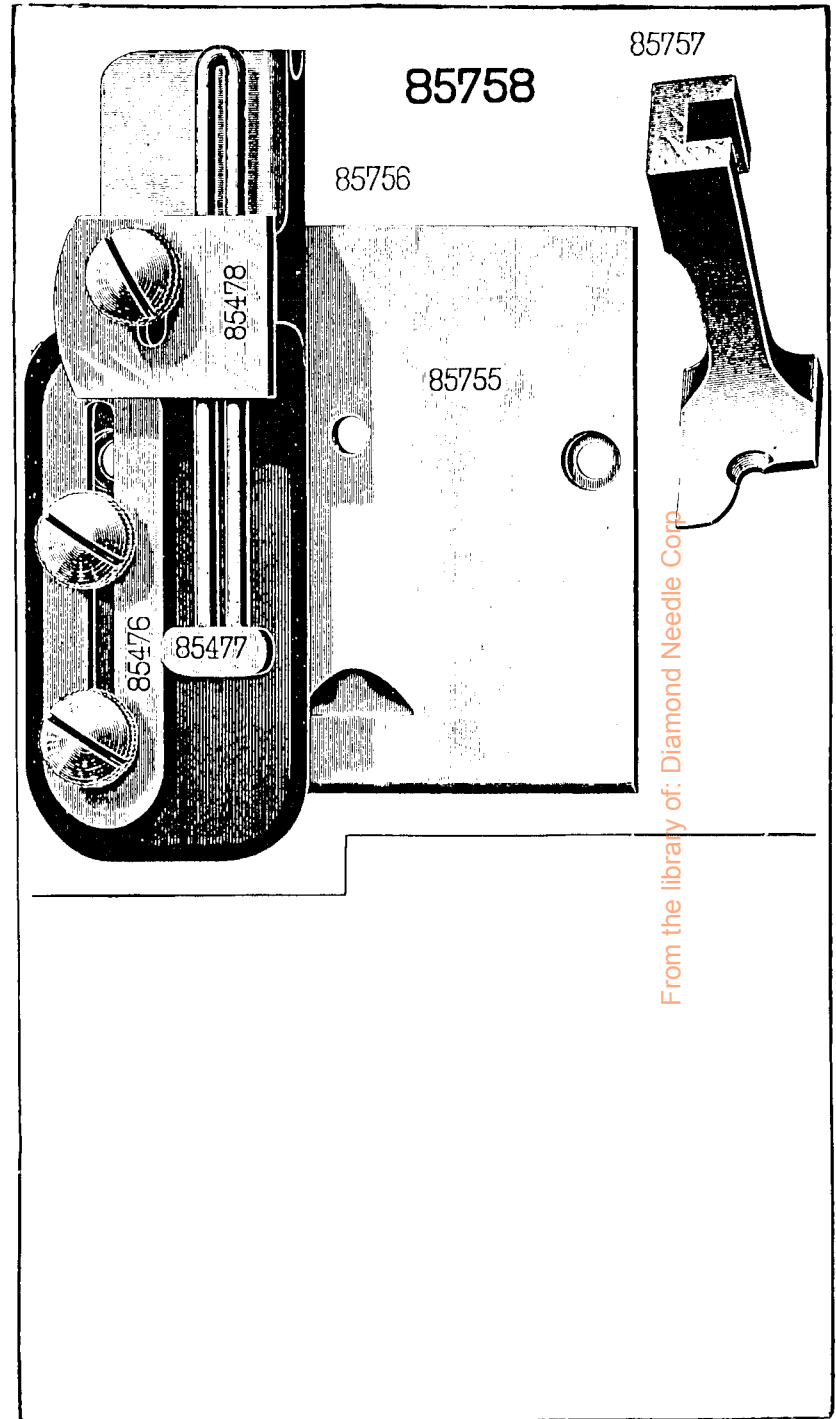
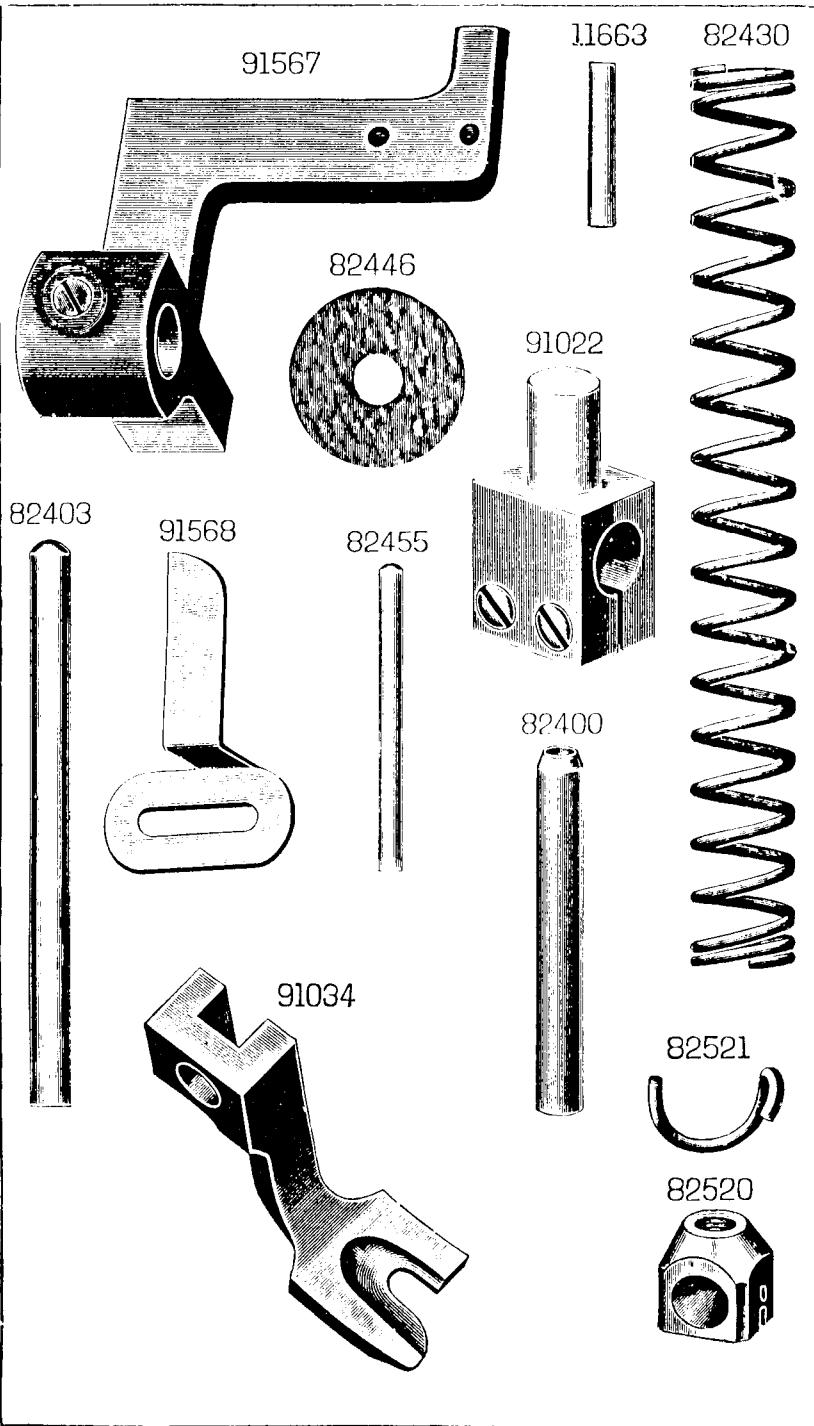
File in the library of: Diamond Needle Co. Inc.



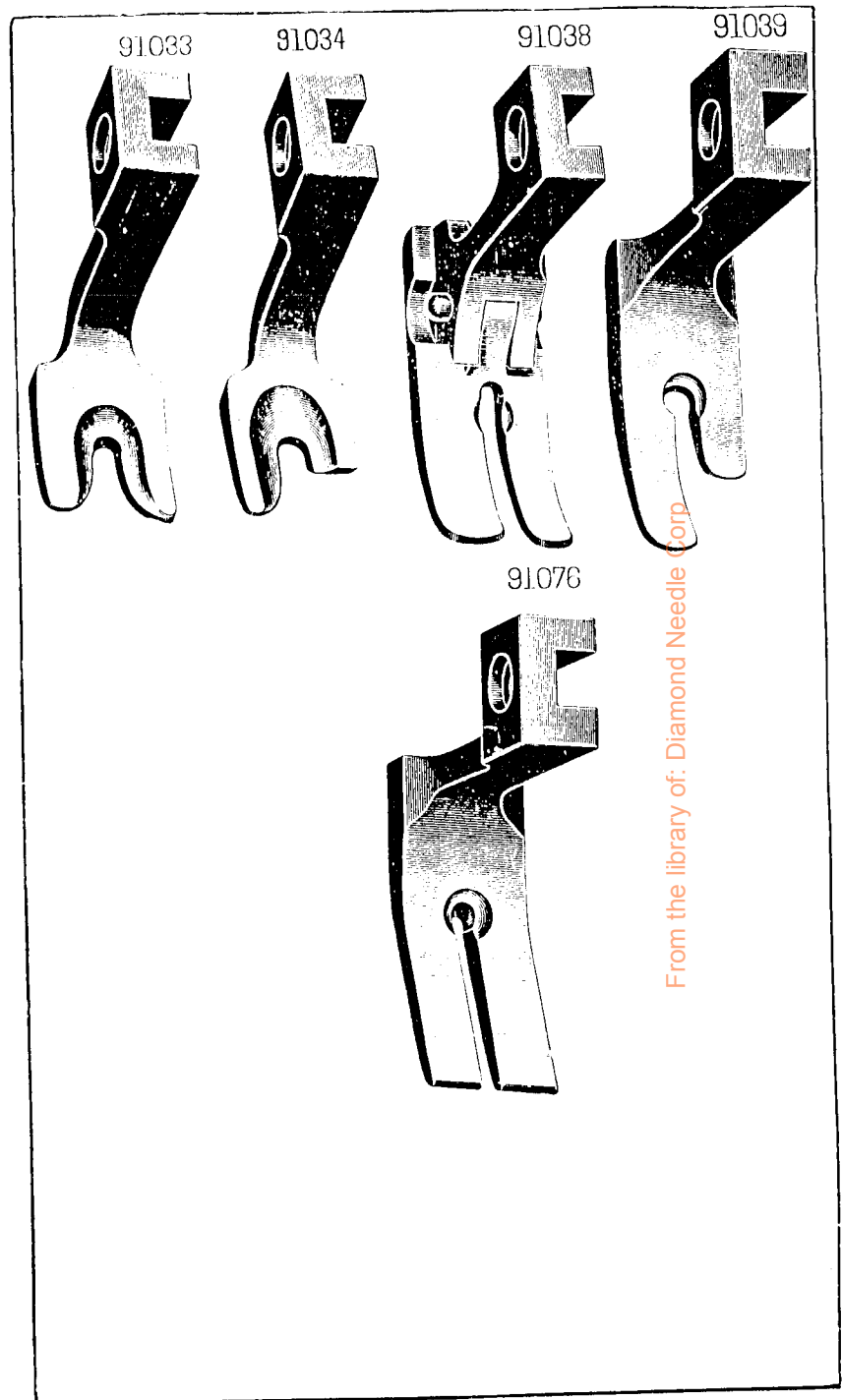
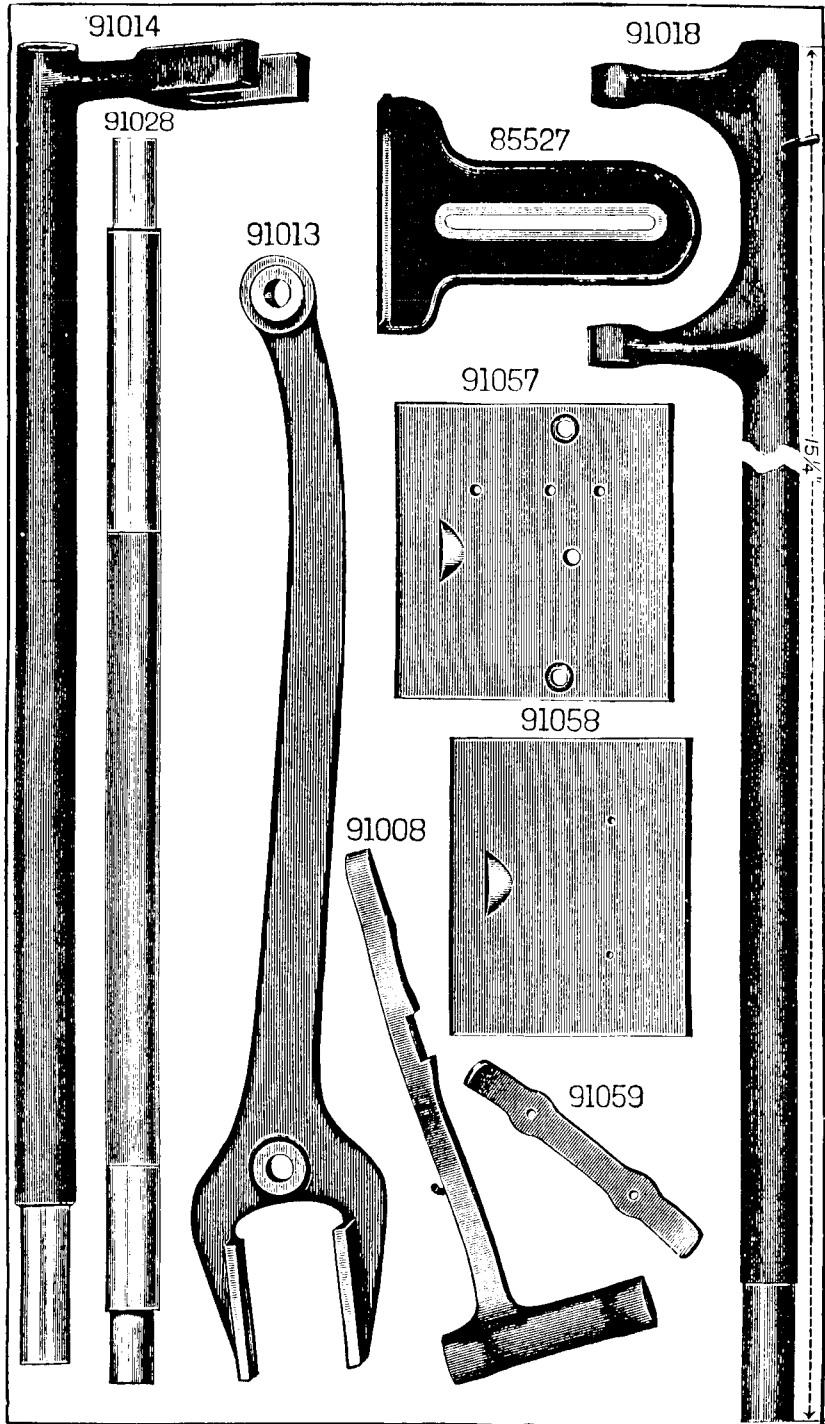
From the library of: Diamond Needle Corp



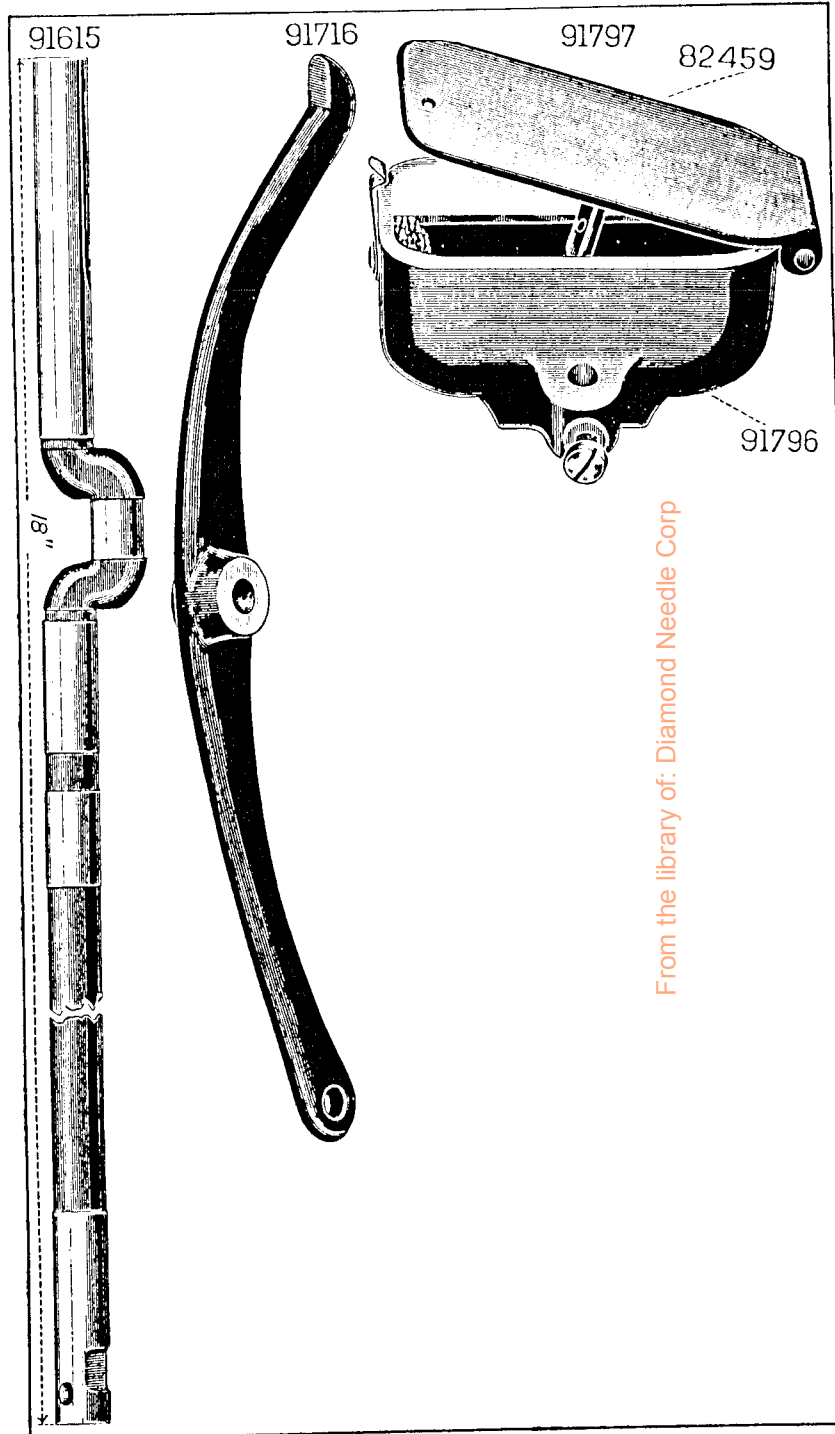
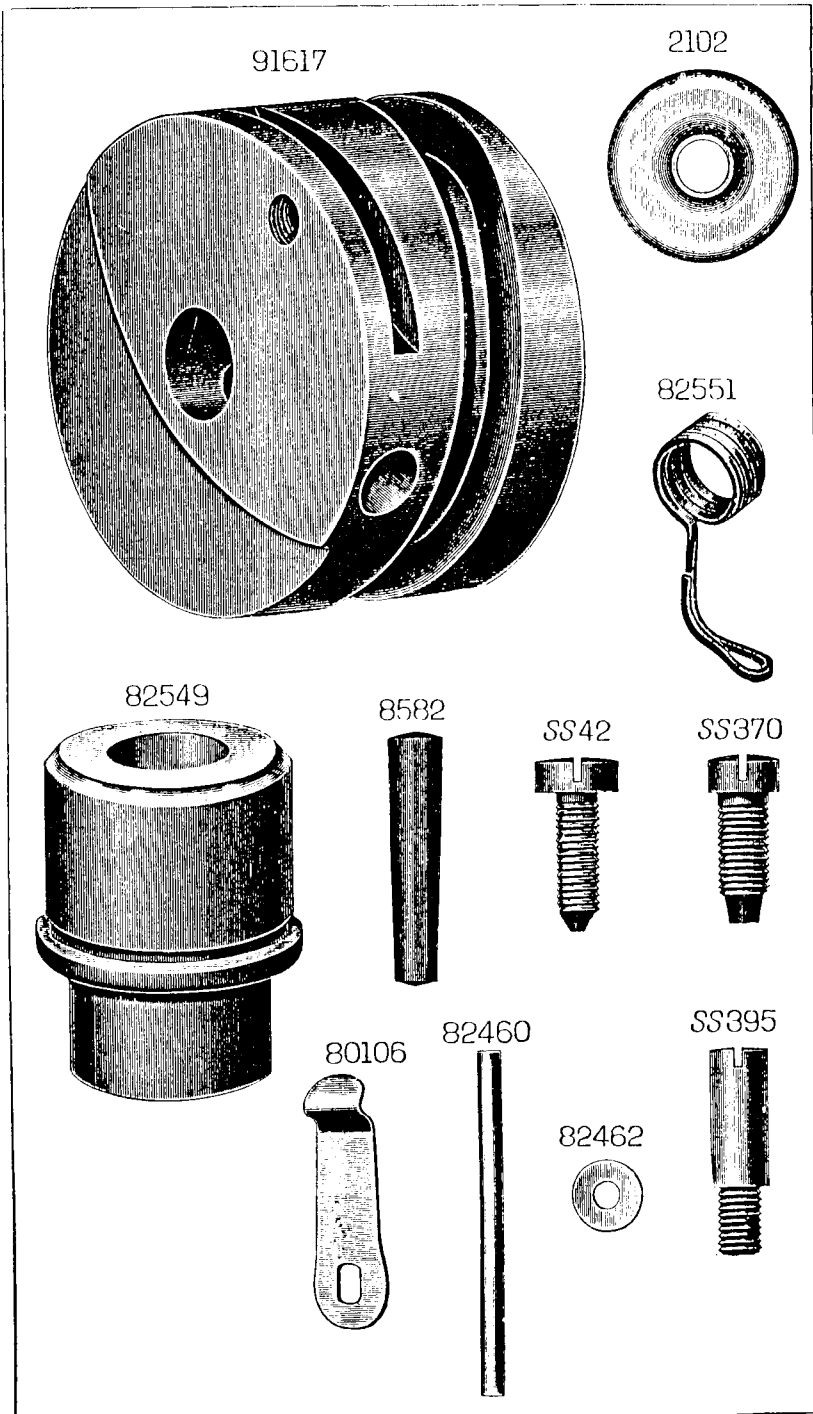




From the library of: Diamond Needle Corp.

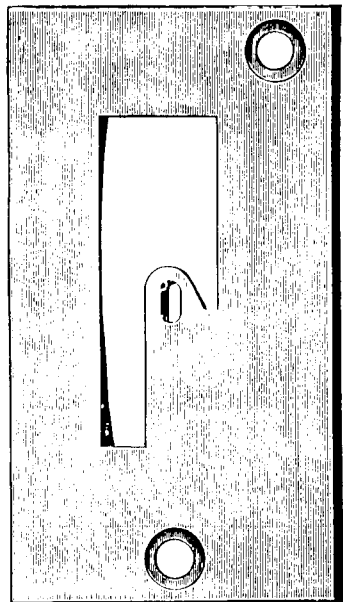


From the library of: Diamond Needle Corp

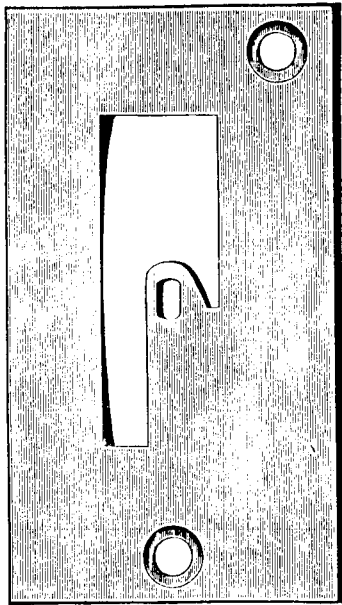


From the library of: Diamond Needle Corp

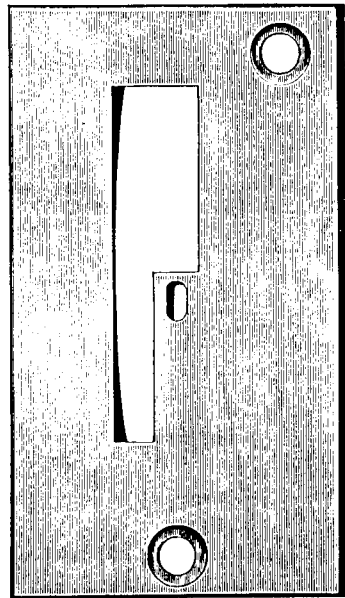
91609



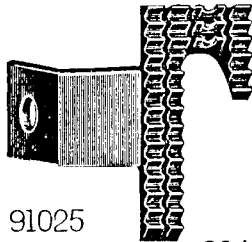
91610



91079



91607



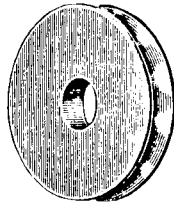
91026



91025



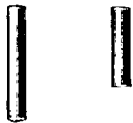
82448



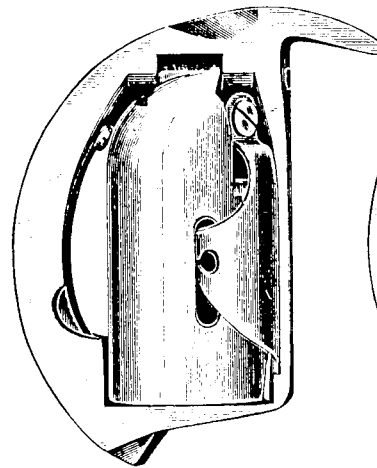
91169 80036



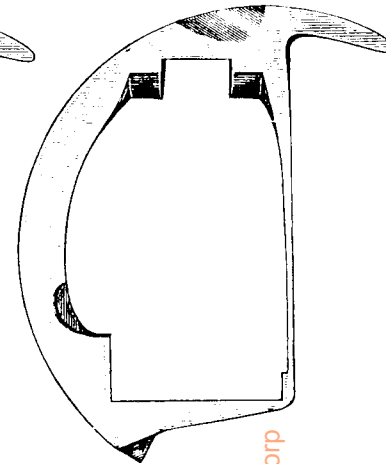
91051 91055



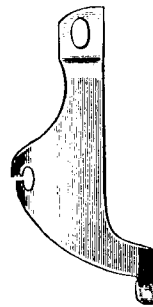
95084



95082



95083



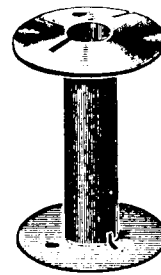
95081



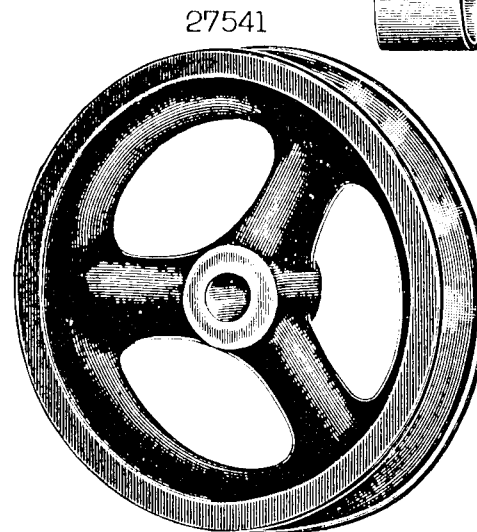
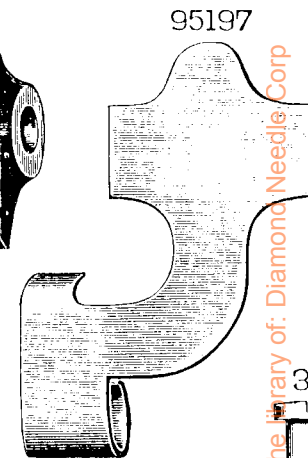
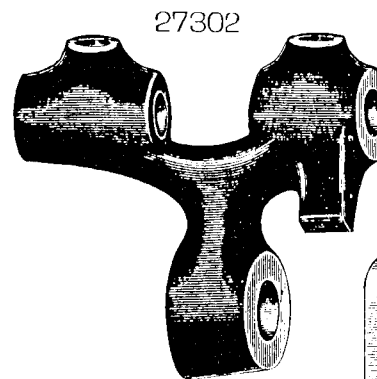
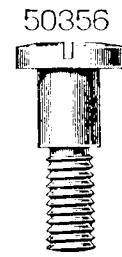
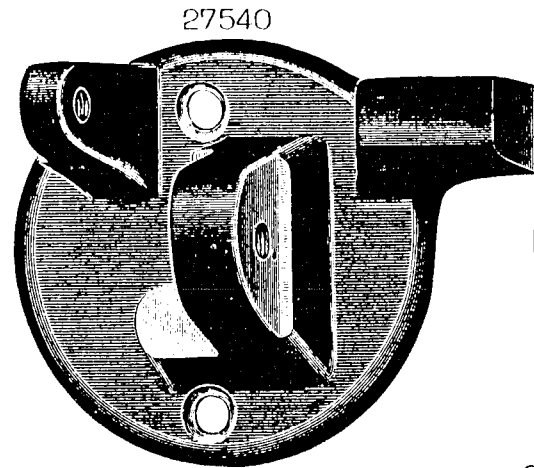
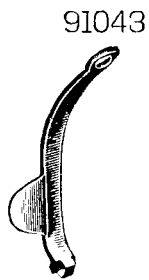
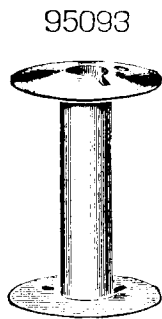
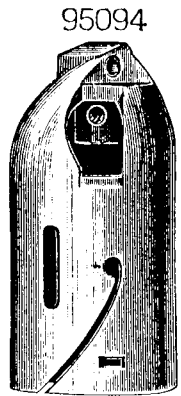
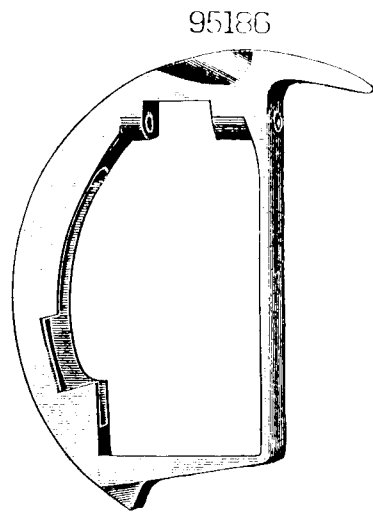
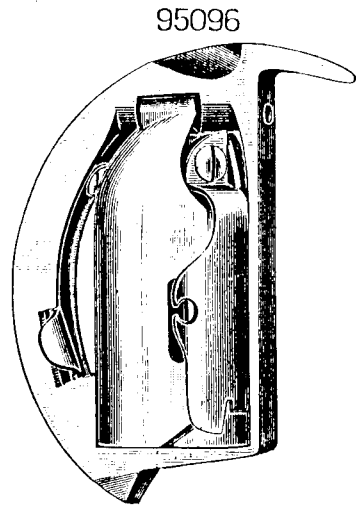
95080



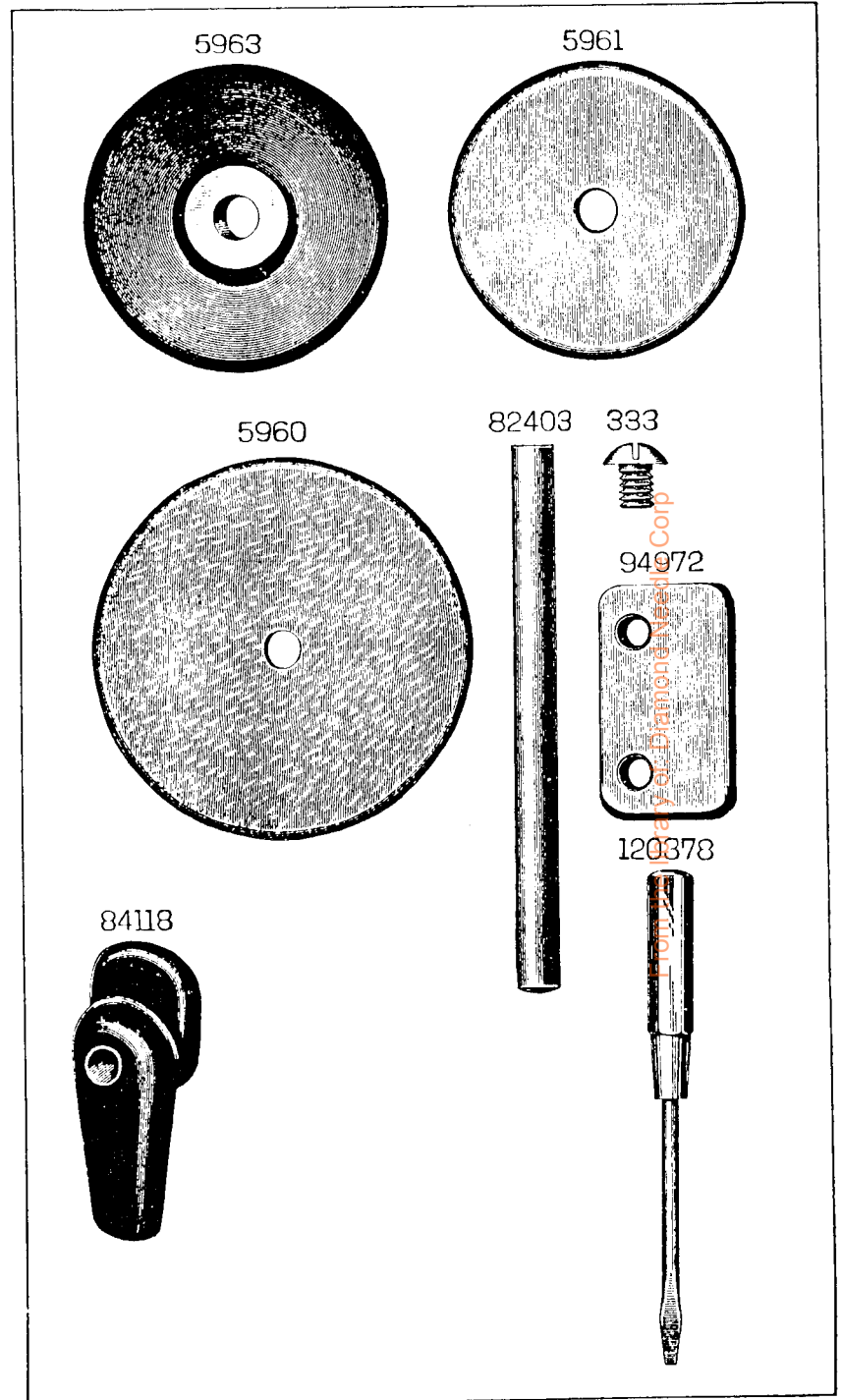
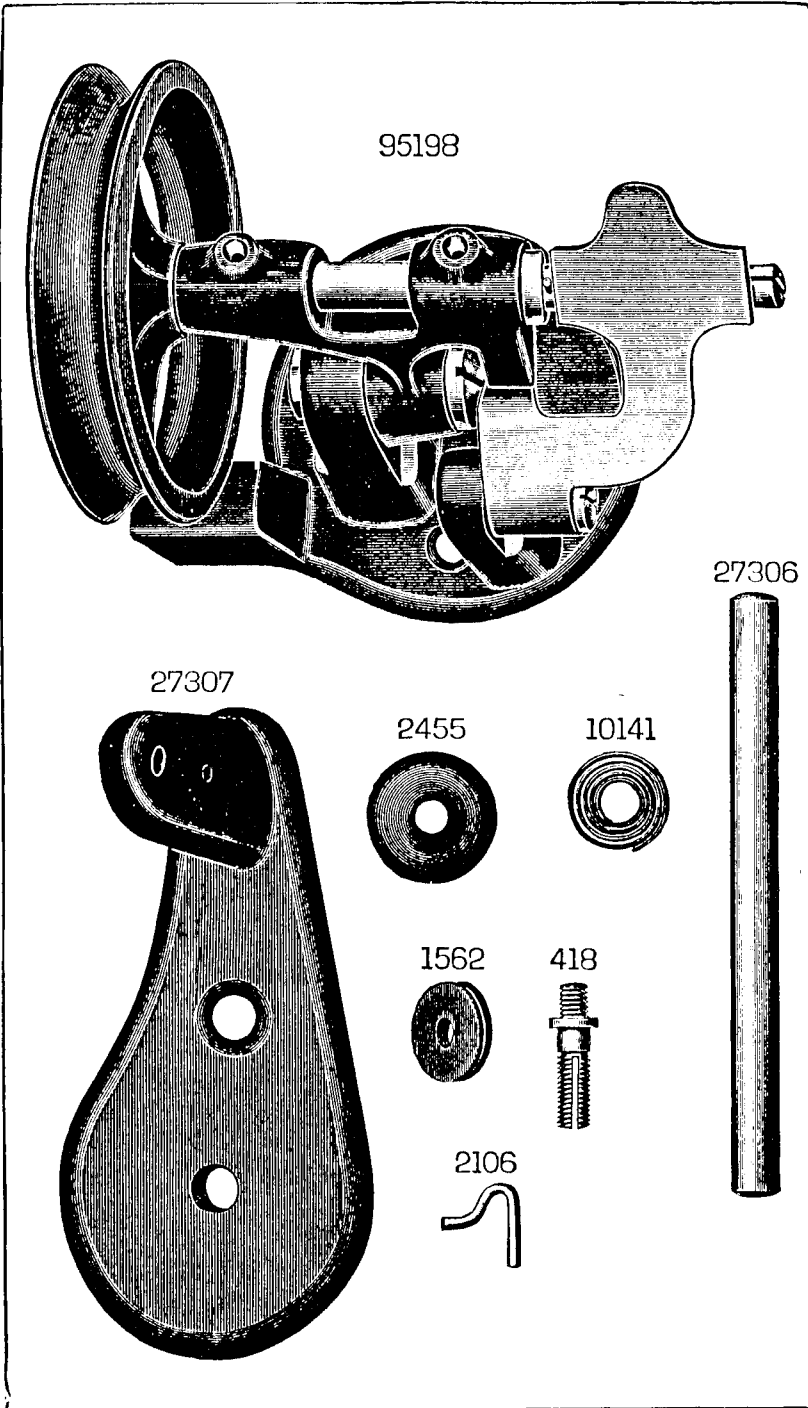
95093



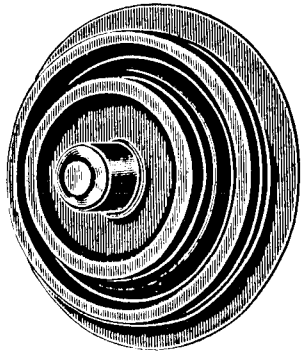
From the Library of: Diamond Needle Corp



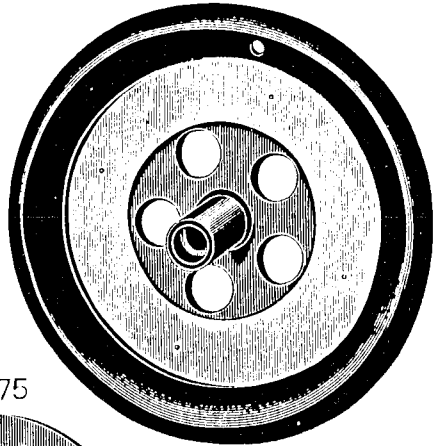
From the Library of: Diamond Needle Corp



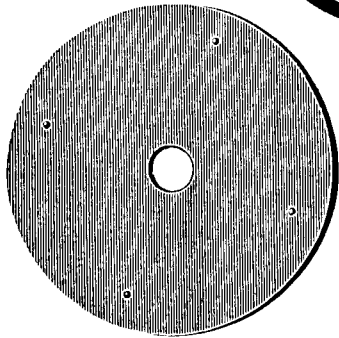
91474



91473



91475



91294



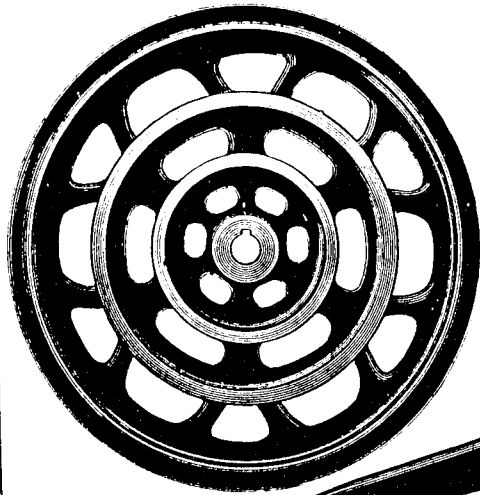
91302



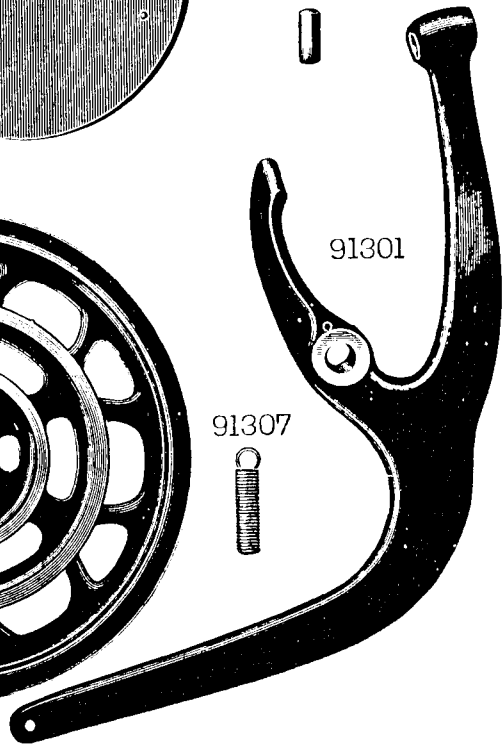
91303



82404



91301



91307



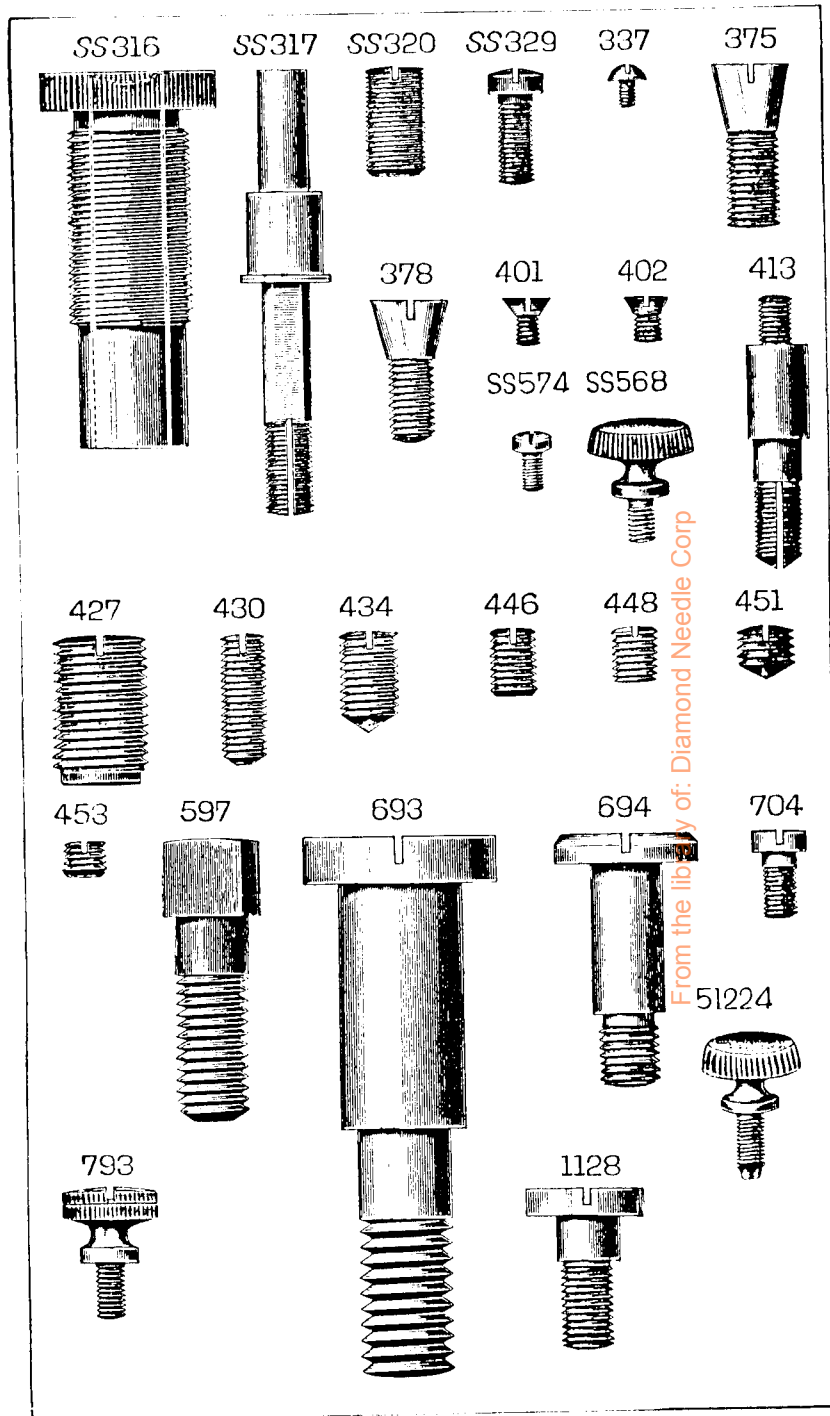
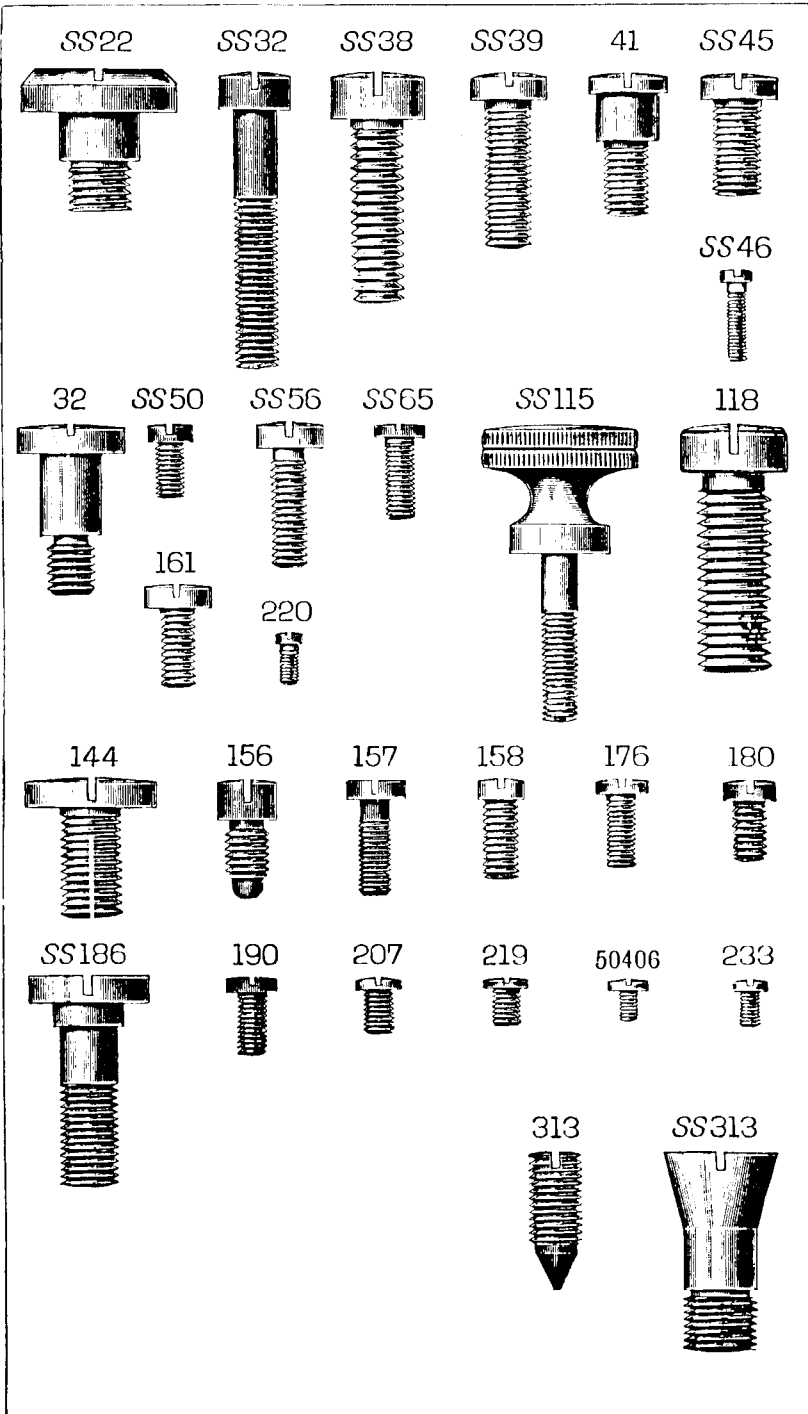
86611



120342

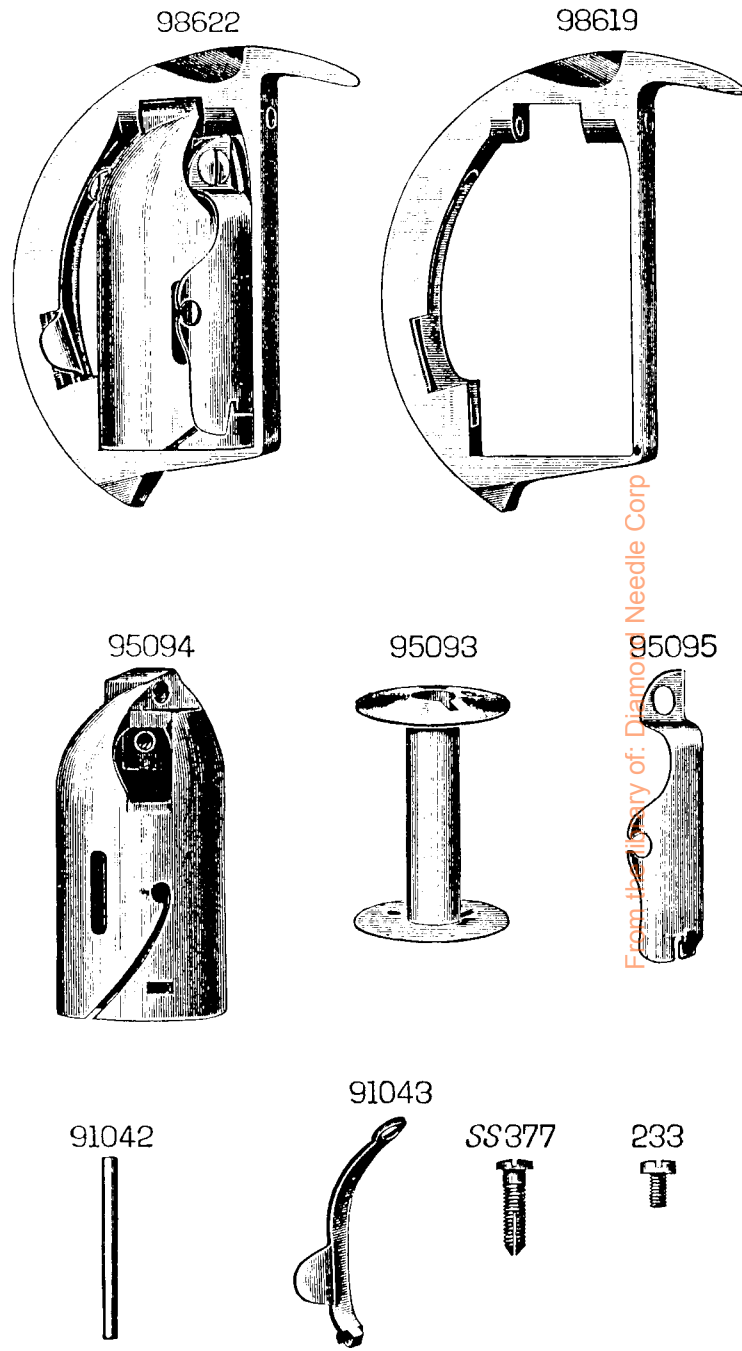
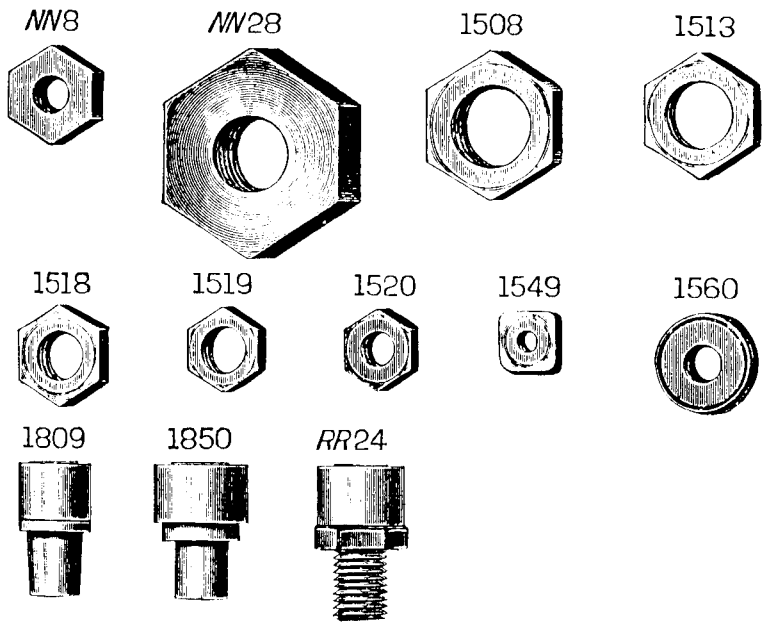


From the library of: Diamond Needle Corp

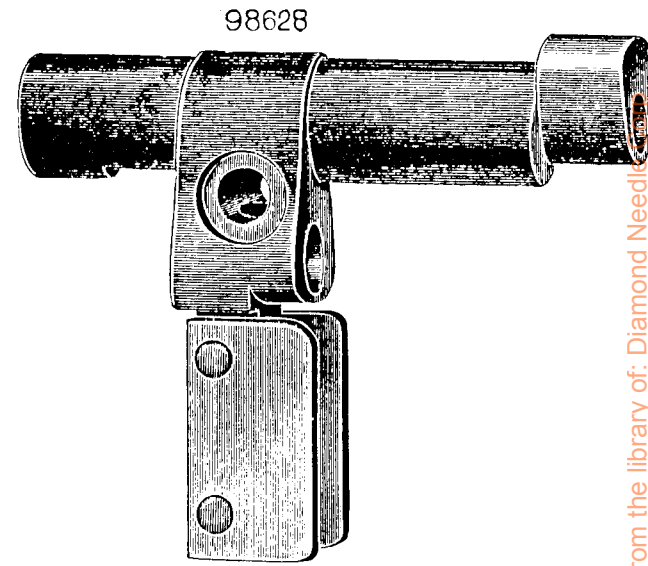
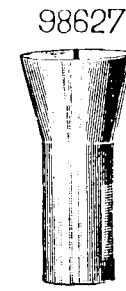
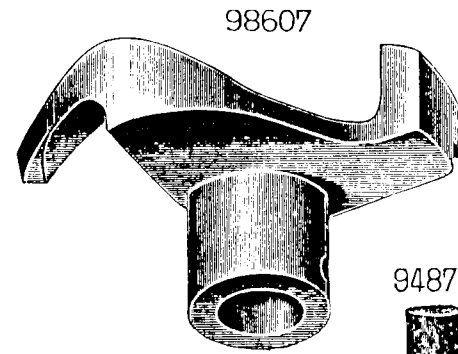
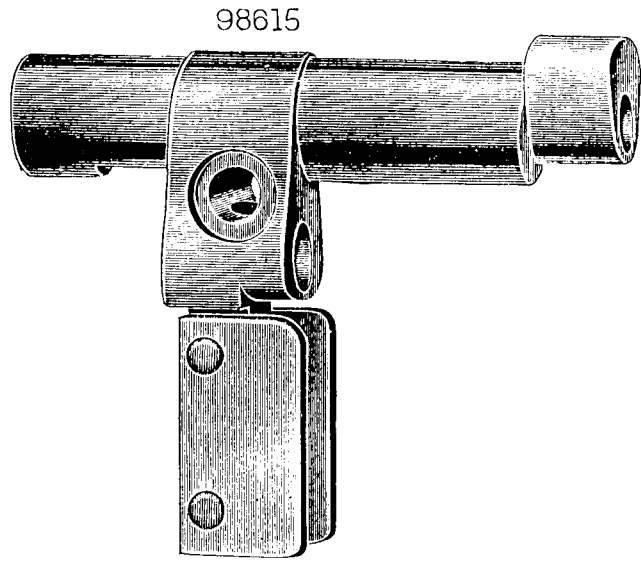
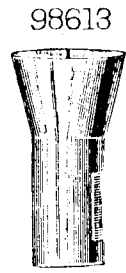
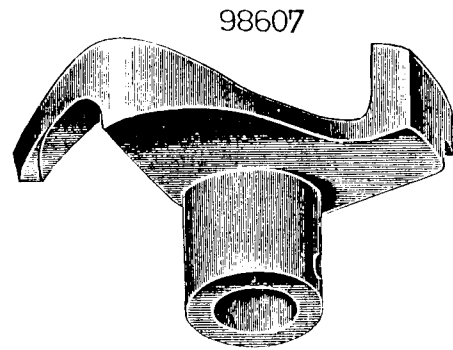


From the library of: Diamond Needle Corp

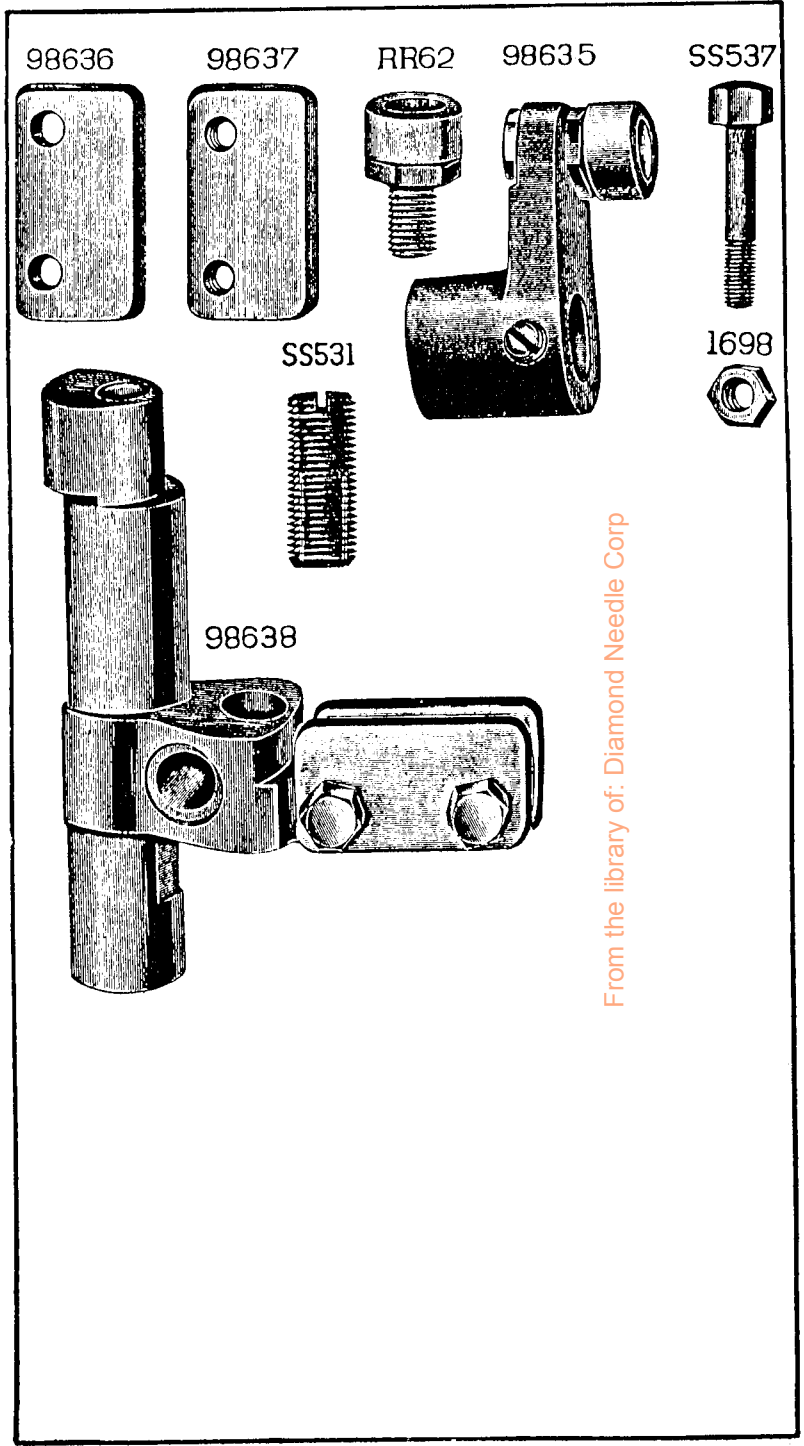




From the library of: Diamond Needle Corp



From the library of: Diamond Needle



From the library of: Diamond Needle Corp

ILLUSTRATED  
LIST OF PARTS  
FOR  
Nos. 45K1, 45K5 and  
45K11 Machines

From the library of: [Diamond Needle Corp](#)

## CONTENTS

---

	Page
Parts Complete for No. 45K1 Machine ... ..	45
" Special to No. 45K5 Machine ... ..	51
" " " " 45K11 " ... ..	51
Accessories ... ..	53
Attachments ... ..	53
Bobbin Winders ... ..	55
Driving Attachment ... ..	57
Foot Lifter ... ..	56
Obsolete Parts ... ..	58
Numerical List of Parts ... ..	61

From the library of: Diamond Needle Corp

**PARTS COMPLETE**  
FOR  
**No. 45K1 MACHINE**

**Drop Feed, Flat Bed, Needle Bar Link for General Work on  
Leather and Cloth.**

### INSTRUCTIONS FOR ORDERING

In ordering from this List, the prefix and affix letters with the part number MUST BE quoted exactly as they are shown in the first column.

A number always indicates the same part in whatever List it may appear, or for whatever machine.

Part No.	Plate	Description
†*91001	—	<b>Arm</b> with 446(803), 82499 and 82549 ...
8582	1062	" Dowel Pin (2) ...
118(805)	1601	" Screw (3) ...
91615	1063	<b>Arm Shaft</b> ...
82499	869	" " Bushing (back) ...
82549	1062	" " " (front) ...
446(803)	1602	" " " Set Screw for 82499 ...
82400	871	" " Oil Tube ...
144(804)	1601	" " Screw ...
82402	867	<b>Arm Side Cover</b> ...
51224(804)	1602	" " " Thumb Screw ...
82403	1598	" Spool Pin ...
*91003	—	<b>Bed</b> ...
98664	868	<b>Crank Connecting Rod</b> with 94802, 94872 and two 109779(805)
*94802	—	" " " Cap ...
94872	1698	" " " " Oil Pad ...
109779(805)	—	" " " " Screw ...
98627	1740	" " " Hinge Stud ...
98614	1698	" " " " Cotter Pin ...
1668(803)	1698	" " " " " Nut ...
†91006	867	<b>Face Plate</b> ...
109045(804)	1601	" " Screw (to attach to machine) ...
91007	—	<b>Face Plate, complete</b> , Nos. 233(804), 446(803), 82449, 82450, 82455, 82502, 82503, 82525, 82551, 91006 and 109050(806) ...

† For Two Tone Machines the finish of these parts is Grey Metallic (Colour Code No. 728).

From the library of: Diamond Needle Corp

Part No.	Plate	Description
91008	873	<b>Feed Bar</b> with 80036 ... ..
94967	853	" " Retaining Spring ... ..
80036	1064	" " " " Pin ... ..
313(803)	1601	" " Screw Centre (2) ... ..
1519(805)	1603	" " " " Nut (2) ... ..
3032	869	<b>Feed Cam</b> with 446(803) ... ..
446(803)	1602	" " Set Screw ... ..
52165	869	<b>Feed Connecting Link</b> ... ..
375(803)	1602	" " " " Hinge Screw (2) ... ..
1518(805)	1603	" " " " " " Nut (2) ... ..
91607	1064	<b>Feed Dog</b> (General Work, Cloth or Leather) ... ..
91010	870	" " (Leather Work) ... ..
91011	870	" " (Book Stitching) ... ..
704(803)	1602	" " Screw ... ..
<i>NOTE.—91607 is sent with this Machine unless other Feed Dog is specified on order.</i>		
91013	873	<b>Feed Forked Connection</b> ... ..
375(803)	1602	" " " " Hinge Screw ... ..
1518(805)	1603	" " " " " " Nut ... ..
91014	873	<b>Feed Lifting Rock Shaft</b> ... ..
91334	---	" " " " 91014 with 91335 ... ..
91335	870	" " " " Crank with 1809 and two ... ..
		157(803)
157(803)	1601	" " " " " " Clamping Screw ... ..
1809	1603	" " " " " " Roller and Stud ... ..
109576(803)	---	" " " " " " Screw Centre (2) ... ..
1513(809)	1603	" " " " " " Nut (2) ... ..
91017	870	<b>Feed Regulator</b> ... ..
1128(805)	1602	" " Hinge Screw ... ..
109115(804)	1601	" " Thumb Screw ... ..
91018	873	<b>Feed Rock Shaft</b> with 91169 ... ..
91336	---	" " " " 91018 with 91337 ... ..
91337	870	" " " " Crank with two 157(803) ... ..
157(803)	1601	" " " " " " Clamping Screw ... ..
91169	1064	" " " " Retaining Spring Pin ... ..
109576(803)	---	" " " " " " Screw Centre (2) ... ..
1513(809)	1603	" " " " " " Nut (2) ... ..
85527	873	<b>Guide</b> ... ..
793(804)	1602	" Thumb Screw (2) ... ..

Part No.	Plate	Description
82404	1599	<b>Machine Pulley</b> (two-speeds) with two 434(803) ... ..
91002	---	" " ( " " ) (heavy) with two 434(803) ... ..
434(803)	1602	" " Set Screw ... ..
<i>NOTE.—82404 is sent with this Machine unless other Machine Pulley is specified on order.</i>		
Catalogue		
4950	---	<b>Needle</b> , size 26 (214×1) ... ..
91021	867	<b>Needle Bar</b> ... ..
91022	871	" " Connection with two 109779(805) ... ..
109779(805)	---	" " " " Clamping Screw ... ..
91023	869	" " " " Link ... ..
375(803)	1602	" " " " " " Hinge Screw ... ..
1518(805)	1603	" " " " " " " " Nut ... ..
82520	853	<b>Needle Clamp</b> ... ..
156(806)	1601	" " Screw ... ..
82521	853	" " Thread Eyelet ... ..
50406(804)	1601	" " " " " " Screw ... ..
82522	---	<b>Needle Clamp</b> 82520 with 156(806), 50406(804) and 82521 ... ..
98638	2000	<b>Oscillating Rock Shaft</b> with 98636, 98637, two each ... ..
		1698(803) and 109537(803)
98642	870	" " " " Hinge Pin ... ..
1513(809)	1603	" " " " " " Nut ... ..
109531(803)	2000	" " " " " " Screw Bearing ... ..
1513(809)	1603	" " " " " " " " Nut ... ..
98636	2000	" " " " Steel Plate (bottom) ... ..
98637	2000	" " " " " " (top) ... ..
109537(805)	2000	" " " " " " Binding Screw ... ..
1698(803)	2000	" " " " " " " " Lock ... ..
		Nut
98640	---	<b>Oscillating Rock Shaft</b> , complete, Nos. 1668(803), 98614, ... ..
		98627 and 98638 ... ..
91028	873	<b>Oscillating Shuttle Shaft</b> ... ..
91029	853	" " " " Bushing ... ..
109039(803)	1601	" " " " " " Set Screw ... ..
91030	870	" " " " Collar with 453(803) ... ..
453(803)	1602	" " " " " " Set Screw ... ..
98635	2000	" " " " Crank with 453(803), 1518(805) ... ..
		and 113252
11663	853	" " " " " " Pin ... ..
113262	2000	" " " " " " Roller and Screw Stud ... ..
1518(805)	1603	" " " " " " " " " " Nut ... ..
		Nut
453(803)	1602	" " " " " " Set Screw ... ..

From the Library of Diamond Needle Corp

Part No.	Plate	Description
82426	867	<b>Presser Bar</b> (with squared end) ...
91568	871	" " Automatic Thread Controller ...
207(806)	1601	" " " " " " Screw ...
82429	869	" " Lifter ...
109186(804)	1601	" " " Hinge Screw ...
1518(805)	1603	" " " " " Nut ...
91567	871	" " Lifting Bracket with 446(803) ...
446(803)	1602	" " " " " Set Screw ...
82510	869	" " " " " Tension Release ...
190(806)	1601	" " " " " " " Binding Screw
91569	--	" " " " " 91567 with 82510 and two 190(806)
109316(804)	1602	" " Screw Bushing ...
82430	871	" " Spring ...
91033	874	<b>Presser Foot</b> (Cloth) ...
85827	175	" " (Leather) ...
91034	871	" " ( " ) ...
91039	874	" " (General Work on Cloth, Long Stitch) ...
91035	--	<b>Presser Foot Bracket</b> ...
8554	--	" " " Hinge Pin ...
91037	--	" " Sole ...
91038	874	<b>Presser Foot</b> (hinged), complete, for Sewing Sacks, Nos. 8554, 91035 and 91037
109065(806)	1601	" " Screw ...

NOTE.—No. 91039 is sent with this Machine unless another Presser Foot is specified on order.

95093	1467	<b>Shuttle Bobbin</b> ...
95094	1467	" Cylinder ...
91042	1467	" " Hinge Pin ...
91043	1467	" " Latch Spring ...
109574(804)	1602	" " " " " Screw ...
98619	1694	" Frame ...
95095	1467	" Tension Spring ...
109377(806)	1467	" " " Adjusting Screw ...
98622	1694	<b>Shuttle</b> (Cylinder) 2½" diam., complete, Nos. 91042, 91043, 95093 to 95095, 98619, 109377(806) and 109574(804) ...

No. 98622 can only be used with No. 98607 and not with old style Shuttle Drivers.

98607	1698	<b>Shuttle Driver</b> ...
11663	853	" " Pin ...

No. 98607 can only be used with No. 98622 and not with old style Shuttles.

Part No.	Plate	Description
91048	303	<b>Shuttle Guard</b> ...
109568(804)	1602	" " Thumb Screw ...
1549(805)	1603	" " " " " Lock Nut ...
91049	--	<b>Shuttle Race</b> with 91051, 91052 and 91055 ...
94973	--	" " 91049 with 91054 and two 401(806) ...
109032(806)	1601	" " Bearing Clamping Screw ...
113008(805)	1603	" " " " " Nut ...
91050	853	" " Cap ...
91051	1064	" " " Pin (short) ...
91052	303	" " " " (long) ...
91053	853	" " " Spring ...
41(806)	1601	" " " " " Screw ...
91054	303	" " Loop Spreader ...
401(806)	1602	" " " " " Screw ...
91055	1064	" " Position Pin ...
91056	303	<b>Shuttle Race</b> (adjustable), complete, Nos. 41(806), 1549(805), 91048, 91050, 91053, 94973 and 109568(804)
91057	873	<b>Shuttle Race Slide</b> (back) ...
180(806)	1601	" " " ( " ) Screw (2) ...
91058	873	" " " (front) ...
91059	873	" " " ( " ) Spring ...
337(804)	1602	" " " ( " ) " Screw ...
91060	--	<b>Shuttle Race Slide</b> 91058 with 91059 and two 337(804) ...
109317(805)	1602	<b>Tension Screw Stud</b> ...
1560(804)	1603	" " " Regulating Thumb Nut ...
446(803)	1602	" " " Set Screw ...
82445	869	" Spring ...
82446	871	" Washer (felt) ...
82447	869	" " (steel) ...
82448	1064	" Wheel ...
82502	--	<b>Tension</b> , complete, Nos. 1560(804), 82445, 82448, two each 82446, 82447 and 109317(805) ...
82551	1062	<b>Thread Controlling Lever</b> ...
82525	869	" " " Spring ...
82455	871	" " " " Stop Pin ...
82450	869	<b>Thread Eyelet</b> ...
109050(806)	1601	" " " Screw ...
82449	869	<b>Thread Guard</b> ...
233(804)	1601	" " " Screw ...



Part No.	Plate	Description
2102	1062	<b>Thread Retainer Disc</b> ... ..
*413(805)	1602	" " Screw Stud ... ..
33892	—	" " " " 413(805) with 1560(804) ... ..
1560(804)	1603	" " " " Regulating Thumb Nut ... ..
2103	869	" " Spring ... ..
82503	—	<b>Thread Retainer</b> , complete, Nos. 2103, 33892 and two 2102
91617	1062	<b>Thread Take-up Cam</b> with 109320(803) and 109370(803)
109320(803)	1602	" " " Set Screw ... ..
109370(803)	1062	" " " Timing Screw ... ..
82452	—	<b>Thread Take-up Lever</b> ... ..
82453	869	" " " 82452 with 1519(805) and 113224
109022(806)	1601	" " " Hinge Screw... ..
113224	1603	" " " Roller and Screw Stud ... ..
1519(805)	1603	" " " " " " " " Nut ... ..
91063	282	<b>Throat Plate</b> for 91011 ... ..
91610	1064	" " " 91607 (coarse needle hole) ... ..
91609	1064	" " " 91607 (fine needle hole) ... ..
91065	282	" " " 91010 ... ..
91079	1064	" " " 91011 (for Book Stitching) ... ..
180(806)	1601	" " " Screw (2) ... ..

NOTE.—91610 is sent with this Machine unless another Throat Plate is specified on order.

†91796	1063	<b>Oil Box</b> ... ..
†82459	1063	" " Cover ... ..
82460	1062	" " " Hinge Pin ... ..
†80106	1062	" " " Latch Spring ... ..
219(806)	1601	" " " " " Screw ... ..
82462	1062	" " " " " Washer ... ..
82463	—	" " " Oil Pad (cloth) ... ..
109050(806)	1601	" " " " " Screw ... ..
82462	1062	" " " " " Washer ... ..
109395(806)	1062	" " " Stud Screw ... ..
109042(806)	1062	" " " " " Set Screw ... ..
†91797	1063	<b>Oil Box</b> , complete, Nos. 219(806), 80106, 82459, 82460, 82463, 91796, 109042(806), 109050(806) and two 82462

82550 — **Drip Pan** ... ..

† For Two-Tone Machines the finish of these parts is Grey Metallic (Colour Code No. 728).

## No. 45K5 Machine

Drop Feed, Flat Bed, Needle Bar Link and Roller Presser for Leather Work

This machine is the same as 45K1 with the exception that No. 82435 is sent in place of No. 91039

Part No.	Plate	Description
Catalogue 4960	—	<b>Needle</b> , size 25 (214 × 2) ... ..
113225	868	<b>Roller</b> (1½" diam. × ⅝" face) with 378(803) and 1520(813)
†82432	868	" Arm ... ..
†82433	868	" " Bracket ... ..
430(830)	1602	" " " Adjusting Screw ... ..
1520(813)	1603	" " " " " Nut ... ..
109329(803)	1602	" " " Clamping Screw ... ..
82434	868	" " " Lock Spring ... ..
109050(803)	1601	" " " " " Screw ... ..
313(803)	1601	" " " " " Screw Centre ... ..
1519(805)	1603	" " " " " Nut ... ..
378(803)	1602	" " " Bearing Screw ... ..
1520(813)	1603	" " " " " Nut ... ..
82435	868	<b>Roller Presser</b> , complete (1½" × ⅝") Nos. 430(830), 1520(813), 82432 to 82434, 109050(803), 109329(803), 113225, two each 313(803) and 1519(805) ... ..

## No. 45K11 Machine

Drop Feed, Flat Bed, Needle Bar Link, ½" Stitch for Cloth Work

This Machine is the same as 45K1 with the following exceptions---

Part No.	Plate	Description
*91570	—	<b>Arm</b> with 446(803), 82499 and 82549 ... ..
*91069	—	<b>Bed</b> ... ..
91071	870	<b>Feed Dog</b> ... ..
91072	868	<b>Feed Forked Connection</b> ... ..
91073	868	<b>Feed Rock Shaft</b> with 91169 ... ..
91338	—	" " " 91073 with 91337 ... ..
91075	870	<b>Presser Bar Spring</b> ... ..
91076	874	<b>Presser Foot</b> ... ..
91077	868	<b>Shuttle Race Slide</b> (back) ... ..
109779(806)	—	" " " ( " ) Screw ... ..
91078	282	<b>Throat Plate</b> for 91071 ... ..
109779(806)	—	" " " Screw ... ..

† For Two-Tone Machines the finish of these parts is Grey Metallic (Colour Code No. 728).

## Accessories

### Accessories supplied with Nos. 45K1 and 45K11 Machines

Part No.	Plate	Description
95093	1467	Bobbin (2) ... ..
—	—	Instruction Book ... ..
84118	1598	Machine Button with 84151 and wood screw 1 $\frac{1}{4}$ " No. 9
Catalogue		R.H.B.
4950	—	Needles, sizes 19, 22, 23, 24, 25 and 26 (214 × 1) ...
120342	1600	Oiler ... ..
86611	1600	Screw Driver (large)... ..
161295	—	" " (small) ... ..

### Accessories supplied with No. 45K5 Machine

These Accessories are the same as for Nos. 45K1 and 45K11 Machines with the following addition:—

Part No.	Plate	Description
Catalogue		
4950	—	Needles, sizes 19, 21, 22, 23, 24 and 25 (214 × 2) ...
8908	—	Wrench for 1519 and 1520 ... ..

## Attachments

### Attachments for Saddlery Work for No. 45K1 Machine

Part No.	Plate	Description
85749	175	Base ... ..
85750	175	" Spring ... ..
85751	175	" " Regulator with 109310(804) ... ..
109310(804)	—	" " " Thumb Screw ... ..
207(804)	1601	" " Screw ... ..
85325	—	" " " Washer ... ..
85752	175	Binder, only, complete, Nos. 207(804), 85325 and 85749 to 85751
85822	175	Combination Guide ... ..
85823	175	" " Base ... ..
161(804)	1601	" " Screw ... ..
85514	—	" " " Washer ... ..
85824	175	Combination Guide, complete, Nos. 161(804), 85514, 85822 and 85823 ... ..
85825	175	Presser Foot (for Oval Traces) ... ..
85826	175	" " (for Sewing Rounds) ... ..
85753	175	" " (for Binding) ... ..
85827	175	" " (for General Work) ... ..
85828	175	Saddlery Attachment, complete, Nos. 85752, 85753 and 85824 to 85827 ... ..

## Binder for Leather for No. 45K1 Machine

Part No.	Plate	Description
85749	175	Base ... ..
85750	175	" Spring ... ..
85751	175	" " Regulator with 109310(804) ... ..
109310(804)	---	" " " Thumb Screw ... ..
207(804)	1601	" " Screw ... ..
85325	---	" " " Washer ... ..
85752	175	Binder only, complete, Nos. 207(804), 85325 and 85749 to 85751
85753	175	Presser Foot ... ..
85754	---	Binder, complete, Nos. 85752 and 85753 ... ..

## Binder for Horse Rugs for No. 45K1 Machine

Part No.	Plate	Description
85476	872	Base ... ..
85477	872	" Wire Guide ... ..
85478	872	" " Clamp Plate ... ..
793(804)	1602	" " " Thumb Screw ... ..
85479	---	Binder only, complete, Nos. 793(804) and 85476 to 85478 ... ..
85755	872	Slide ... ..
793(804)	1602	" Thumb Screw ... ..
85756	872	Binder with Slide, complete, Nos. 85479, 85755 and two 793(804) ... ..
85757	872	Presser Foot ... ..
85758	872	Binder, complete, Nos. 85756 and 85757 ... ..

## Welting Attachment for Boots for No. 45K1 Machine

Part No.	Plate	Description
86135	226	Guide (plain) ... ..
86128	---	Reel Holder Bracket ... ..
86129	---	" " " Pin ... ..
86130	226	Reel Holder, complete, Nos. 86128 and 86129 ... ..
86136	226	Presser Foot ... ..
86127	226	Welt Guide ... ..
86137	226	Welting Attachment, complete, Nos. 86127, 86130, 86135 and 86136 ... ..

## Bobbin Winders

## Bobbin Winder (Friction) for Fast Wheel Machine

Part No.	Plate	Description
†82527	838	Bracket ... ..
109066(804)	1601	" Screw ... ..
†82528	838	Frame ... ..
32(804)	1601	" Hinge Screw ... ..
5960	1598	Friction Wheel (leather) ... ..
5961	1598	" " Washer ... ..
333(813)	1598	" " " Screw ... ..
91446	838	Spindle with 15072 ... ..
15072	---	" Bobbin Position Pin ... ..
5963	1598	" Flange ... ..
91447	838	Frame, complete, Nos. 333(813), 5960, 5961, 5963, 82528 and 91446 ... ..
82537	838	Spring ... ..
161(804)	1601	" Screw ... ..
82538	838	" " Washer ... ..
91448	---	Bobbin Winder, complete, Nos. 32(804), 161(804), 82527, 82537, 82538 and 91447 ... ..

NOTE.—No. 91448 is supplied with these machines unless otherwise specified on order.

## Bobbin Winder (Friction) for Machine with Driving Attachment

This Bobbin Winder is the same as 91448 with the following exceptions:—

Part No.	Plate	Description
91476	838	Bracket ... ..
91477	---	Bobbin Winder, complete, Nos. 32(804), 161(804), 82537, 82538, 91447 and 91476 ... ..

## Bobbin Winder (Swinging Automatic, Right Hand) for 95093

Part No.	Plate	Description
27540	1487	Base ... ..
---	---	" Screw (wood) 1" No. 7 R.H. ... ..
27302	1487	Frame ... ..
50356(802)	1487	" Hinge Screw ... ..
1620(809)	1487	" " " Nut ... ..
27303	1487	" Spring ... ..
27541	1487	Pulley ... ..
98673	1487	Spindle with 15072 ... ..
15072	---	" Bobbin Position Pin ... ..
27306	1488	Spool Pin ... ..
27307	1488	" Stand ... ..
†27308	---	" " 27307 with 418(804), 1562(809), 2106, 10141, 27306, two each 2455 and wood screws 1" No. 10 ... ..

† As No. 27308 can be supplied either Plated or Japanned, it is necessary, when ordering, to state which is required.

Part No.	Plate	Description
95197	1487	Stop Latch ... ..
35(804)	1487	" " Hinge Screw ... ..
2455	1488	Tension Disc ... ..
1562(809)	1488	" Regulating Thumb Nut ... ..
418(804)	1488	" Screw Stud ... ..
10141	1488	" Spring ... ..
2106	1488	Thread Guide ... ..
95198	1488	Bobbin Winder, Nos. 35(804), 1620(809), 27302, 27303, 27540, 27541, 50356(802), 95197, 98673 and two wood screws 1" No. 7 R.H. ... ..
95199	—	<b>Bobbin Winder</b> , complete, Nos. 27308 and 95198 ... ..

## Foot Lifter

Part No.	Plate	Description
91716	1063	Arm Lever ... ..
694(804)	1602	" " Hinge Screw ... ..
91457	755	Foot Lever with 176(803) ... ..
91459	755	" " Bracket ... ..
17881	755	" " " Hinge Pin ... ..
—	—	" " " Screw (wood) 1" No. 12 ... ..
91458	755	" " Extension ... ..
176(803)	1601	" " " Set Screw ... ..
98626	755	" " Spring ... ..
91454	—	Foot Lever only, complete, Nos. 17881, 91457 to 91459, 98626 and two wood screws 1" No. 12 ... ..
17877	755	Foot Lever Pitman Rod (lower) ... ..
17878	755	" " " " (upper) ... ..
17879	755	" " " " Clamp with two 161(804) ... ..
161(804)	1601	" " " " " Screw ... ..
17880	755	Foot Lever Pitman Rod, complete, Nos. 17877 to 17879 ... ..
91453	755	" " " " Connecting Hook (7" long) ... ..
91455	—	Foot Lever, complete, Nos. 17880 and 91454 ... ..
91456	—	<b>Foot Lifter</b> , complete, Nos. 694(804), 91453, 91455 and 91716 ... ..

## Driving Attachment

Part No.	Plate	Description
91473	1599	Balance Wheel with 434(803), 451(803), 91475 and four 402(805) ... ..
91474	1599	" " Friction Pulley (two-speeds) with 448(803) and 91294 ... ..
448(803)	1602	" " " " Set Screw ... ..
91294	1599	" " " " Centre Bearing ... ..
91475	1599	" " " " Ring (cardboard) ... ..
402(805)	1602	" " " " " Screw ... ..
434(803)	1602	" " Set Screw (long) ... ..
451(803)	1602	" " " " (short) ... ..
91296	755	Starting Lever ... ..
91297	755	" " Bracket ... ..
91298	—	" " " Hinge Pin ... ..
—	—	" " " Screw (wood) 1 1/4" No. 15 ... ..
91299	755	" " Nos. 91296 to 91298 and three wood screws 1 1/4" No. 15 ... ..
17877	755	Starting Lever Pitman Rod (lower) ... ..
17878	755	" " " " (upper) ... ..
17879	755	" " " " Clamp with two 161(804) ... ..
161(804)	1601	" " " " " Screw ... ..
17880	755	Starting Lever Pitman Rod, complete, Nos. 17877 to 17879 ... ..
91460	—	Starting Lever and Pitman, complete, Nos. 17880 and 91299 ... ..
84275	—	Shaft Pulley (sectional, grooved), 10" diam., with two 597(803) ... ..
597(803)	1602	" " Clamping Screw ... ..
91301	1599	Lever with 7958 and 91306 ... ..
91302	1599	" Bracket ... ..
109038(803)	1601	" " Screw ... ..
91303	1599	" Centre Plug (wood) ... ..
427(803)	1602	" " " Adjusting Screw ... ..
1508(805)	1603	" " " " " Nut ... ..
91306	—	" Friction Pad (leather) ... ..
693(804)	1602	" Hinge Screw ... ..
113028(803)	1603	" " " Nut ... ..
91307	1599	" Spring ... ..
161(804)	1601	" " Screw ... ..
7958	—	" " " Pin ... ..
91309	—	Lever, complete, Nos. 161(804), 427(803), 693(804), 1508(805), 91301 to 91303, 91307, 113028 and two 109038(803) ... ..
91478	—	<b>Driving Attachment</b> , complete, Nos. 84275, 91309, 91460, 91473 and 91474 ... ..

## Obsolete Parts

Part No.	Plate	Description
82398	---	Arm Shaft ... ..
91408	867	" " ... ..
82399	---	" " Bushing (front) ... ..
91269	---	Crank Connecting Rod with 91005, 109044(803) and two 109779(805) (for use with Hinge Screw 109017(803) ...
91004	---	Crank Connecting Rod with 91005 and two 109779(805) (for use with Hinge Screw 373(803) ...
91317	867	Crank Connecting Rod with 91005, 94872 and two 109779(805) (for use with Hinge Screw 109313(803) ...
*91005	---	Crank Connecting Rod Cap ... ..
109313(803)	1601	" " " Hinge Screw ... ..
109045(804)	1601	" " " " " Set Screw ... ..
98613	1698	" " " " Stud ... ..
91009	870	Feed Dog (General Work, Cloth or Leather) for 45K1 and 45K5 Machines
91273	---	Needle Clamp Thread Eyelet ... ..
91027	---	Oscillating Rock Shaft with two each 91025 and 91026 ...
91439	853	" " " " 91025, 94972 and two 91026
98615	1698	" " " " 91025, 94972 and two 91026 ...
98628	1740	" " " " 91025, 94972 and two 91026 ...
91025	1064	" " " Steel Plate (bottom) ... ..
94972	1598	" " " " " (top) ... ..
91026	1064	" " " " " Rivet ... ..
91031	870	" Shuttle Shaft Crank with 453(803) and 1850 ...
1850	1603	" " " " Roller and Stud ... ..
91276	---	Shuttle Cylinder Latch Spring ... ..
220(806)	1601	" " " " Screw ... ..
95080	1260	Shuttle Cylinder ... ..
95081	1260	" " Latch Spring ... ..
233(806)	1467	" " " " Screw ... ..
95082	1260	" Frame ... ..
95186	1467	Shuttle Frame ... ..
95096	1467	Shuttle (Cylinder) 2½" diam., complete, Nos. 233(806), 91042, 91043, 950093 to 95095, 95186 and 109377(806)
91047	---	Shuttle Driver ... ..
91597	853	" " ... ..

NOTE.—The above Shuttle, Shuttle parts and Shuttle Drivers are not interchangeable with the new style parts, and No. 95096 must be used in conjunction with No. 91597.

Part No.	Plate	Description
91278	---	Shuttle Race Loop Spreader and Guard ... ..
91279	---	" " " " Spring ... ..
91045	---	" Tension Spring ... ..
95083	1260	" " " ... ..
109046(806)	1601	" " " Adjusting Screw ... ..
91280	---	Tension Washer ... ..
82543	---	Thread Controlling Lever ... ..
91061	---	" Take-up Cam with two 448(803) ... ..
91403	867	" " " with 109320(803) and 1065(803) ...
82454	---	" " Spring ... ..
91064	282	Throat Plate (coarse needle hole) for 91009 for 45K1 and 45K5 Machines
91066	---	Throat Plate (fine needle hole) for 91009 for 45K1 and 45K5 Machines

From the library of: Diamond Needle Corp

## Numerical List of Parts

Part No.	Plate	Description
32(804)	1601	Bobbin Winder Frame Hinge Screw for 91448 and 91477 ... ..
35(804)	1487	Bobbin Winder Stop Latch Hinge Screw for 95198
41(806)	1601	Shuttle Race Cap Spring Screw for 91056 ... ..
118(805)	1601	Arm Screw ... ..
144(804)	1601	Arm Shaft Screw ... ..
156(806)	1601	Needle Clamp Screw for 82522 ... ..
157(803)	1601	Feed Lifting Rock Shaft Crank Clamping Screw for 91335 ... ..
157(803)	1601	Feed Rock Shaft Crank Clamping Screw for 91337
161(804)	1601	Saddlery Attachment Combination Guide Screw for 85824 ... ..
161(804)	1601	Bobbin Winder Spring Screw for 91448 and 91477
161(804)	1601	Foot Lifter Foot Lever Pitman Rod Clamp Screw for 17879 ... ..
161(804)	1601	Driving Attachment Starting Lever Pitman Rod Clamp Screw for 17879 ... ..
161(804)	1601	Driving Attachment Lever Spring Screw for 91309
176(803)	1601	Foot Lifter Foot Lever Extension Set Screw for 91457
180(806)	1601	Shuttle Race Slide (back) Screw for 45K1 and 45K5 Machines ... ..
180(806)	1601	Throat Plate Screw for 45K1 and 45K5 Machines ... ..
190(806)	1601	Presser Bar Lifting Bracket Tension Release Binding Screw for 91569... ..
207(804)	1601	Binder Base Spring Screw for 85752 ... ..
207(806)	1601	Presser Bar Automatic Thread Controller Screw ... ..
219(806)	1601	Oil Box Cover Latch Spring Screw for 91797 ... ..
220(806)	1601	Shuttle Cylinder Latch Spring Screw (Obsolete)
233(804)	1601	Thread Guard Screw for 91007 ... ..
233(806)	1601	Shuttle Cylinder Latch Spring Screw for 95096 (Obsolete)
313(803)	1601	Feed Bar Screw Centre... ..
313(803)	1601	Roller Arm Screw Centre for 82435 ... ..
333(813)	1598	Bobbin Winder Friction Wheel Washer Screw for 91447 ... ..
337(804)	1602	Shuttle Race Slide (front) Spring Screw for 91060 ... ..
375(803)	1602	Feed Connecting Link Hinge Screw ... ..
375(803)	1602	Feed Forked Connection Hinge Screw ... ..
375(803)	1602	Needle Bar Connection Link Hinge Screw ... ..
378(803)	1602	Roller Bearing Screw for 113225 ... ..
401(806)	1602	Shuttle Race Loop Spreader Screw for 94973 ... ..

Part No.	Plate	Description
402(805)	1602	Driving Attachment Balance Wheel Friction Pulley Ring Screw for 91473 ... ..
*413(805)	1602	Thread Retainer Screw Stud for 33892 ... ..
418(804)	1488	Spool Stand Tension Screw Stud for 27308 ... ..
427(803)	1602	Driving Attachment Lever Centre Plug Adjusting Screw for 91309 ... ..
430(830)	1602	Roller Arm Bracket Adjusting Screw for 82435 ... ..
434(803)	1602	Machine Pulley Set Screw for 82404 and 91002 ... ..
434(803)	1602	Driving Attachment Balance Wheel Set Screw (long) for 91473 ... ..
446(803)	1602	Arm Shaft Bushing Set Screw for 91001 and 91570
446(803)	1602	Feed Cam Set Screw for 3032 ... ..
446(803)	1602	Presser Bar Lifting Bracket Set Screw for 91567 ... ..
446(803)	1602	Tension Screw Stud Set Screw for 91007 ... ..
448(803)	1602	Driving Attachment Balance Wheel Friction Pulley Set Screw for 91474 ... ..
451(803)	1602	Driving Attachment Balance Wheel Set Screw (short) for 91473 ... ..
453(803)	1602	Oscillating Shuttle Shaft Collar Set Screw for 91030
453(803)	1602	Oscillating Shuttle Shaft Crank Set Screw for 91031 and 98635 ... ..
597(803)	1602	Driving Attachment Shaft Pulley Clamping Screw for 84275 ... ..
693(804)	1602	Driving Attachment Lever Hinge Screw for 91309
694(804)	1602	Foot Lifter Arm Lever Hinge Screw for 91456 ... ..
704(803)	1602	Feed Dog Screw ... ..
793(804)	1602	Guide Thumb Screw ... ..
793(804)	1602	Binder Base Wire Clamp Plate Thumb Screw for 85479 ... ..
793(804)	1602	Binder Slide Thumb Screw for 85756 ... ..
1128(805)	1602	Feed Regulator Hinge Screw ... ..
1508(805)	1603	Driving Attachment Lever Centre Plug Adjusting Screw Nut for 91309 ... ..
1513(809)	1603	Feed Lifting Rock Shaft Screw Centre Nut ... ..
1513(809)	1603	Feed Rock Shaft Screw Centre Nut ... ..
1513(809)	1603	Oscillating Rock Shaft Hinge Pin Nut ... ..
1513(809)	1603	Oscillating Rock Shaft Hinge Pin Screw Bearing Nut
1518(805)	1603	Feed Connecting Link Hinge Screw Nut ... ..
1518(805)	1603	Feed Forked Connection Hinge Screw Nut ... ..
1518(805)	1603	Needle Bar Connection Link Hinge Screw Nut ... ..
1518(805)	1603	Oscillating Shuttle Shaft Crank Roller and Screw Stud Nut for 98635 ... ..
1518(805)	1603	Presser Bar Lifter Hinge Screw Nut ... ..
1519(805)	1603	Feed Bar Screw Centre Nut ... ..

Part No.	Plate	Description
1519(805)	1603	Thread Take-up Lever Roller and Screw Stud Nut for 82453 ... ..
1519(805)	1603	Roller Arm Screw Centre Nut for 82435 ... ..
1520(813)	1603	Roller Arm Bracket Adjusting Screw Nut for 82435
1520(813)	1603	Roller Bearing Screw Nut for 113225 ... ..
1549(805)	1603	Shuttle Guard Thumb Screw Lock Nut for 91056 ... ..
1560(804)	1603	Tension Screw Stud Regulating Thumb Nut for 82502
1560(804)	1603	Thread Retainer Screw Stud Regulating Thumb Nut for 33892 ... ..
1562(809)	1488	Spool Stand Tension Regulating Thumb Nut for 27308 ... ..
1620(809)	1487	Bobbin Winder Frame Hinge Screw Nut for 95198
1668(803)	1698	Crank Connecting Rod Hinge Stud Cotter Pin Nut for 98640 ... ..
1698(803)	2000	Oscillating Rock Shaft Steel Plate Binding Screw Lock Nut for 98638... ..
1809	1603	Feed Lifting Rock Shaft Crank Roller and Stud for 91335 ... ..
1850	1603	Oscillating Shuttle Shaft Crank Roller and Stud for 91031 ... .. (Obsolete)
2102	1062	Thread Retainer Disc for 82503 ... ..
2103	869	Thread Retainer Spring for 82503 ... ..
2106	1488	Spool Stand Thread Guide for 27308 ... ..
2455	1488	Spool Stand Tension Disc for 27308 ... ..
3032	869	Feed Cam with 446(803) ... ..
5960	1598	Bobbin Winder Friction Wheel (leather) for 91447
5961	1598	Bobbin Winder Friction Wheel Washer for 91447 ... ..
5963	1598	Bobbin Winder Spindle Flange for 91447 ... ..
7958	---	Driving Attachment Lever Spring Screw Pin for 91301 ... ..
8554	---	Presser Foot Bracket Hinge Pin for 91038 ... ..
8582	1062	Arm Dowel Pin ... ..
8908	---	Wrench for 1519 and 1520 for 45K5 Machine (Accessories)
10141	1488	Spool Stand Tension Spring for 27308 ... ..
11663	853	Oscillating Shuttle Shaft Crank Pin ... ..
11663	853	Shuttle Driver Pin ... ..
15072	-	Bobbin Winder Spindle Bobbin Position Pin for 91446 and 98673 ... ..
17877	755	Foot Lifter Foot Lever Pitman Rod (lower) for 17880
17877	755	Driving Attachment Starting Lever Pitman Rod (lower) for 17880 ... ..
17878	755	Foot Lifter Foot Lever Pitman Rod (upper) for 17880
17878	755	Driving Attachment Starting Lever Pitman Rod (upper) for 17880 ... ..

Part No.	Plate	Description
17879	755	Foot Lifter Foot Lever Pitman Rod Clamp with two 161(804) for 17880 ... ..
17879	755	Driving Attachment Starting Lever Pitman Rod Clamp with two 161(804) for 17880 ... ..
17880	755	Foot Lifter Foot Lever Pitman Rod, complete, Nos. 17877 to 17879 for 91455 ... ..
17880	755	Driving Attachment Starting Lever Pitman Rod, complete, Nos. 17877 to 17879 for 91460 ... ..
17881	755	Foot Lifter Foot Lever Bracket Hinge Pin for 91454
27302	1487	Bobbin Winder Frame for 95198 ... ..
27303	1487	Bobbin Winder Frame Spring for 95198 ... ..
27306	1488	Spool Stand Spool Pin for 27308 ... ..
27307	1488	Spool Stand for 27308 ... ..
†27308	—	Spool Stand 27307 with 418(804), 1562(809), 2106, 10141, 27306, two each 2455 and wood screws 1" No. 10, for 95199 ... ..

† As No. 27308 can be supplied either Plated or Japanned, it is necessary, when ordering, to state which is required.

27540	1487	Bobbin Winder Base for 95198 ... ..
27541	1487	Bobbin Winder Pulley for 95198 ... ..
33892	—	Thread Retainer Screw Stud 413(805) with 1560(804) for 82503 ... ..
50356(802)	1487	Bobbin Winder Frame Hinge Screw for 95198 ... ..
50406(804)	1601	Needle Clamp Thread Eyelet Screw for 82522 ... ..
51224(804)	1602	Arm Side Cover Thumb Screw ... ..
52165	869	Feed Connecting Link ... ..
80036	1064	Feed Bar Retaining Spring Pin for 91008 ... ..
†80106	1062	Oil Box Cover Latch Spring for 91797 ... ..
82398	—	Arm Shaft ... .. (Obsolete)
82399	—	Arm Shaft Bushing (front) ... .. (Obsolete)
82400	871	Arm Shaft Oil Tube ... ..
82402	867	Arm Side Cover ... ..
82403	1598	Arm Spool Pin ... ..
82404	1599	Machine Pulley (two-speeds) with two 434(803) ... ..
82426	867	Presser Bar (with squared end) ... ..
82429	869	Presser Bar Lifter ... ..
82430	871	Presser Bar Spring for 45K1 and 45K5 Machines ... ..
†82432	868	Roller Arm for 82435 ... ..
†82433	868	Roller Arm Bracket for 82435 ... ..
82434	868	Roller Arm Lock Spring for 82435 ... ..
82435	868	Roller Presser, complete, (1½" × 5/16"), Nos. 430(830), 1520(813), 82432 to 82434, 109050(803), 113225, two each 313(803), and 1519(805) for 45K5 Machine ... ..

† For Two-Tone Machines the finish of these parts is Grey Metallic (Colour Code No. 728).

Part No.	Plate	Description
82445	869	Tension Spring for 82502 ... ..
82446	871	Tension Washer (felt) for 82502 ... ..
82447	869	Tension Washer (steel) for 82502 ... ..
82448	1064	Tension Wheel for 82502 ... ..
82449	869	Thread Guard for 91007 ... ..
82450	869	Thread Eyelet for 91007 ... ..
82452	—	Thread Take-up Lever for 82453 ... ..
82453	869	Thread Take-up Lever, 82452 with 1519(805) and 113224 ... ..
82454	—	Thread Take-up Spring ... .. (Obsolete)
82455	871	Thread Controlling Lever Stop Pin for 91007 ... ..
†82459	1063	Oil Box Cover for 91797 ... ..
82460	1062	Oil Box Cover Hinge Pin for 91797 ... ..
82462	1062	Oil Box Cover Latch Spring Screw Washer for 91797 ... ..
82462	1062	Oil Box Oil Pad Washer for 91797 ... ..
82463	—	Oil Box Oil Pad (cloth) for 91797 ... ..
82499	869	Arm Shaft Bushing (back) for 91001 and 91570 ... ..
82502	—	Tension, complete, Nos. 1560(804), 82445, 82448, 109317(805), two each 82446 and 82447 for 91007 ... ..
82503	—	Thread Retainer, complete, Nos. 2103, 33892 and two 2102 for 91007 ... ..
82510	869	Presser Bar Lifting Bracket Tension Release for 91569 ... ..
82520	853	Needle Clamp for 82522 ... ..
82521	853	Needle Clamp Thread Eyelet for 82522 ... ..
82522	—	Needle Clamp, 82520 with 156(806), 50406(804) and 82521 ... ..
82525	869	Thread Controlling Lever Spring for 91007 ... ..
†82527	838	Bobbin Winder Bracket for 91448 ... ..
†82528	838	Bobbin Winder Frame for 91447 ... ..
82537	838	Bobbin Winder Spring for 91448 and 91477 ... ..
82538	838	Bobbin Winder Spring Screw Washer for 91448 and 91477 ... ..
82543	—	Thread Controlling Lever ... .. (Obsolete)
82549	1062	Arm Shaft Bushing (front) for 91001 and 91570 ... ..
82550	—	Drip Pan ... ..
82551	1062	Thread Controlling Lever for 91007 ... ..
84118	1598	Machine Button with 84151 and wood screw 1½" No. 9 R.H.B. ... .. (Accessories)
84275	—	Driving Attachment Shaft Pulley (sectional, grooved) 10" diam., with two 597(803) for 91478 ... ..
85325	—	Binder Base Spring Screw Washer for 85752 ... ..
85476	872	Binder Base for 85479 ... ..

† For Two-Tone Machines the finish of these parts is Grey Metallic (Colour Code No. 728).



Part No.	Plate	Description
85477	872	Binder Base Wire Guide for 85479 ... ..
85478	872	Binder Base Wire Clamp Plate for 85479 ... ..
85479	--	Binder only, complete, Nos. 793(804) and 85476 to 85478 for 85756 ... ..
85514	--	Saddlery Attachment Combination Guide Screw Washer for 85824 ... ..
85527	873	Guide ... ..
85749	175	Binder Base for 85752 ... ..
85750	175	Binder Base Spring for 85752 ... ..
85751	175	Binder Base Spring Regulator with 109310(804) for 85752 ... ..
85752	175	Binder only, complete, Nos. 207(804), 85325 and 85749 to 85751 for 85754 and 85828 ... ..
85753	175	Binder Presser Foot for 85754 ... ..
85753	175	Saddlery Attachment Presser Foot (for Binding) for 85828 ... ..
85754	--	Binder (for Leather), complete, Nos. 85752 and 85753 for 45K1 Machine ... ..
85755	872	Binder Slide for 85756 ... ..
85756	872	Binder with Slide, complete, Nos. 85479, 85755 and two 793(804) for 85758 ... ..
85757	872	Binder Presser Foot for 85758 ... ..
85758	872	Binder (for Horse Rugs), complete, Nos. 85756 and 85757 for 45K1 Machine ... ..
85822	175	Saddlery Attachment Combination Guide for 85824
85823	175	Saddlery Attachment Combination Guide Base for 85824 ... ..
85824	175	Saddlery Attachment Combination Guide, complete, Nos. 161(804), 85514, 85822 and 85823 for 85828
85825	175	Saddlery Attachment Presser Foot (for Oval Traces) for 85828 ... ..
85826	175	Saddlery Attachment Presser Foot (for Sewing Rounds) for 85828 ... ..
85827	175	Presser Foot (Leather) for 45K1 Machine ... ..
85827	175	Saddlery Attachment Presser Foot (for General Work) for 85828 ... ..
85828	175	Saddlery Attachment, complete, Nos. 85752, 85753 and 85824 to 85827 for 45K1 Machine ... ..
86127	226	Welting Attachment Welt Guide for 86137 ... ..
86128	--	Welting Attachment Reel Holder Bracket for 86130
86129	--	Welting Attachment Reel Holder Bracket Pin for 86130 ... ..
86130	226	Welting Attachment Reel Holder, complete, Nos. 86128 and 86129 for 86137 ... ..
86135	226	Welting Attachment Guide (plain) for 86137 ... ..

Part No.	Plate	Description
86136	226	Welting Attachment Presser Foot for 86137 ... ..
86137	226	Welting Attachment (for Boots), complete, Nos. 86127, 86130, 86135 and 86136 for 45K1 Machine
86611	1600	Screw Driver (large) ... .. (Accessories)
†*91001	--	Arm with 446(803), 82499 and 82549 for 45K1 and 45K5 Machines ... ..
91002	--	Machine Pulley (two-speeds) (heavy) with two 434(803) ... ..
*91003	1063	Bed for 45K1 and 45K5 Machines ... ..
91004	--	Crank Connecting Rod with 91005 and two 109779(805) ... .. (Obsolete)
*91005	--	Crank Connecting Rod Cap for 91004, 91269 and 91317 ... .. (Obsolete)
†91006	867	Face Plate for 91007 ... ..
91007	--	Face Plate, complete, Nos. 233(804), 446(803), 82449, 82450, 82455, 82502, 82503, 82525, 82551, 91006 and 109050(806) ... ..
91008	873	Feed Bar with 80036 ... ..
91009	870	Feed Dog (General Work, Cloth or Leather) for 45K1 and 45K5 Machines ... .. (Obsolete)
91010	870	Feed Dog (Leather Work) for 45K1 and 45K5 Machines ... ..
91011	870	Feed Dog (Book Stitching) for 45K1 Machine ... ..
91013	873	Feed Forked Connection for 45K1 and 45K5 Machines ... ..
91014	873	Feed Lifting Rock Shaft for 91334 ... ..
91017	870	Feed Regulator ... ..
91018	873	Feed Rock Shaft with 91169 for 91336 ... ..
91021	867	Needle Bar ... ..
91022	871	Needle Bar Connection with two 109779(805) ... ..
91023	869	Needle Bar Connection Link ... ..
91025	1064	Oscillating Rock Shaft Steel Plate (bottom) for 91027, 91439, 98615 and 98628 ... .. (Obsolete)
91026	1064	Oscillating Rock Shaft Steel Plate Rivet for 91027, 91439, 98615 and 98628 ... .. (Obsolete)
91027	--	Oscillating Rock Shaft with two each 91025 and 91026 ... .. (Obsolete)
91028	873	Oscillating Shuttle Shaft ... ..
91029	853	Oscillating Shuttle Shaft Bushing ... ..
91030	870	Oscillating Shuttle Shaft Collar with 453(803) ... ..
91031	870	Oscillating Shuttle Shaft Crank with 453(803) and 1850 ... .. (Obsolete)
91033	874	Presser Foot (Cloth) for 45K1 Machine ... ..

† For Two-Tone Machines the finish of these parts is Grey Metallic (Colour Code No. 728).

From the library of Diamond Needle Co.

Part No.	Plate	Description
91034	874	Presser Foot (Leather) for 45K1 Machine ...
91035	—	Presser Foot Bracket for 91038 ...
91037	—	Presser Foot Sole for 91038 ...
91038	874	Presser Foot (hinged), complete, for Sewing Sacks, Nos. 8554, 91035 and 91037 for 45K1 Machine ...
91039	874	Presser Foot (General Work on Cloth, Long Stitch) for 45K1 Machine ...
91042	1467	Shuttle Cylinder Hinge Pin for 95096 and 98622 ...
91043	1467	Shuttle Cylinder Latch Spring for 95096 and 98622 ...
91045	—	Shuttle Tension Spring ... (Obsolete)
91047	—	Shuttle Driver ... (Obsolete)
91048	303	Shuttle Guard for 91056 ...
91049	—	Shuttle Race with 91051, 91052 and 91055 for 94973 ...
91050	853	Shuttle Race Cap for 91056 ...
91051	1064	Shuttle Race Cap Pin (short) for 91049 ...
91052	303	Shuttle Race Cap Pin (long) for 91049 ...
91053	853	Shuttle Race Cap Spring for 91056 ...
91054	303	Shuttle Race Loop Spreader for 94973 ...
91055	1064	Shuttle Race Position Pin for 91049 ...
91056	303	Shuttle Race (adjustable), complete, Nos. 41(806), 1549(805), 91048, 91050, 91053, 94973 and 109568(804) ...
91057	873	Shuttle Race Slide (back) for 45K1 and 45K5 Machines ...
91058	873	Shuttle Race Slide (front) for 91060 ...
91059	873	Shuttle Race Slide (front) Spring for 91060 ...
91060	—	Shuttle Race Slide 91058 with 91059 and two 337(804) ...
91061	—	Thread Take-up Cam with two 448(803) (Obsolete) ...
91063	282	Throat Plate for 91011 for 45K1 Machine ...
91064	282	Throat Plate (coarse needle hole) for 91009 for 45K1 and 45K5 Machines... (Obsolete)
91065	282	Throat Plate for 91010 for 45K1 and 45K5 Machines ...
91066	—	Throat Plate (fine needle hole) for 91009 for 45K1 and 45K5 Machines... (Obsolete)
*91069	—	Bed for 45K11 Machine ...
91071	870	Feed Dog for 45K11 Machine ...
91072	868	Feed Forked Connection for 45K11 Machine ...
91073	868	Feed Rock Shaft with 91169 for 91338 ...
91075	870	Presser Bar Spring for 45K11 Machine ...
91076	874	Presser Foot for 45K11 Machine ...
91077	868	Shuttle Race Slide (back) for 45K11 Machine ...
91078	282	Throat Plate for 91071 for 45K11 Machine ...
91079	1064	Throat Plate for 91011 for 45K1 Machine ...
91169	1064	Feed Rock Shaft Retaining Spring Pin for 91018 and 91073 ...

Part No.	Plate	Description
91269	—	Crank Connecting Rod with 109044(803), 91005 and two 109779(805) ... (Obsolete)
91273	—	Needle Clamp Thread Eyelet ... (Obsolete)
91276	—	Shuttle Cylinder Latch Spring ... (Obsolete)
91278	—	Shuttle Race Loop Spreader and Guard (Obsolete)
91279	—	Shuttle Race Loop Spreader Spring (Obsolete)
91280	—	Tension Washer ... (Obsolete)
91294	1599	Driving Attachment Balance Wheel Friction Pulley Centre Bearing for 91474 ...
91296	755	Driving Attachment Starting Lever for 91299 ...
91297	755	Driving Attachment Starting Lever Bracket for 91299 ...
91298	—	Driving Attachment Starting Lever Bracket Hinge Pin for 91299 ...
91299	755	Driving Attachment Starting Lever, Nos. 91296 to 91298, and three wood screws 1 1/4" No. 15, for 91460 ...
91301	1599	Driving Attachment Lever with 9958 and 91306 for 91309 ...
91302	1599	Driving Attachment Lever Bracket for 91309 ...
91303	1599	Driving Attachment Lever Centre Plug (wood) for 91309 ...
91306	—	Driving Attachment Lever Friction Pad (leather) for 91301 ...
91307	1599	Driving Attachment Lever Spring for 91309 ...
91309	—	Driving Attachment Lever, complete, Nos. 161(804), 427(803), 693(804), 1508(805), 91301 to 91303, 91307, 113028(803), and two 109039(803), for 91478 ...
91317	867	Crank Connecting Rod with 91005, 94872 and two 109779(805) ... (Obsolete)
91334	—	Feed Lifting Rock Shaft 91014 with 91335 ...
91335	870	Feed Lifting Rock Shaft Crank with 1809 and two 157(803) for 91334 ...
91336	—	Feed Rock Shaft 91018 with 91337, for 45K1 and 45K5 Machines ...
91337	870	Feed Rock Shaft Crank with two 157(803), for 91336 and 91338 ...
91338	—	Feed Rock Shaft 91073 with 91337, for 45K11 Machine ...
91403	867	Thread Take-up Cam with 109320(803) and 1065(803) (Obsolete)
91408	867	Arm Shaft ... (Obsolete)
91439	853	Oscillating Rock Shaft with 91025, 94972 and two 91026 ... (Obsolete)

## NUMERICAL LIST OF PARTS

Part No.	Plate	Description
91446	838	Bobbin Winder Spindle with 15072 for 91447 ...
91447	838	Bobbin Winder Frame, complete, Nos. 333(813), 5960, 5961, 5963, 82528 and 91446 for 91448 and 91477 ...
91448	---	Bobbin Winder (Friction), complete, Nos. 32(804), 161(804), 82527, 82537, 82538 and 91447 (for Fast Wheel Machines) ...
91453	755	Foot Lifter Foot Lever Pitman Connecting Hook (7" long) for 91456 ...
91454	---	Foot Lifter Foot Lever only, complete, Nos. 17881, 91457 to 91459, 98626, and two wood screws 1" No. 12 for 91455 ...
91455	---	Foot Lifter Foot Lever, complete, Nos. 17880 and 91454 for 91456 ...
91456	---	Foot Lifter, complete, Nos. 694(804), 91453, 91455 and 91716 ...
91457	755	Foot Lifter Foot Lever with 176(803) for 91454 ...
91458	755	Foot Lifter Foot Lever Extension for 91454 ...
91459	755	Foot Lifter Foot Lever Bracket for 91454 ...
91460	---	Driving Attachment Starting Lever and Pitman, complete, Nos. 17880 and 91299 for 91478 ...
91473	1599	Driving Attachment Balance Wheel with 431(803), 451(803), 91475 and four 402(805) for 91478 ...
91474	1599	Driving Attachment Balance Wheel Friction Pulley (two-speeds) with 448(803) and 91294 for 91478 ...
91475	1599	Driving Attachment Balance Wheel Friction Pulley Ring (cardboard) for 91473 ...
91476	838	Bobbin Winder Bracket for 91477 ...
91477	---	Bobbin Winder (Friction), complete, Nos. 32(804) 161(804), 82537, 82538, 91447 and 91476 (for Machines fitted with Driving Attachment) ...
91478	---	Driving Attachment, complete, Nos. 84275, 91309, 91460, 91473 and 91474 ...
91567	871	Presser Bar Lifting Bracket with 446(803) for 91569 ...
91568	871	Presser Bar Automatic Thread Controller ...
91569	---	Presser Bar Lifting Bracket 91567 with 82510 and two 190(806) ...
*91570	---	Arm with 446(803), 82499 and 82549 for 45K11 Machine ...
91597	853	Shuttle Driver ... (Obsolete)
91607	1064	Feed Dog (General Work, Cloth or Leather) for 45K1 and 45K5 Machines ...
91609	1064	Throat Plate (fine needle hole) for 91607 for 45K1 and 45K5 Machines...

## NUMERICAL LIST OF PARTS

Part No.	Plate	Description
91610	1064	Throat Plate (coarse needle hole) for 91607 for 45K1 and 45K5 Machines ...
91615	1063	Arm Shaft ...
91617	1062	Thread Take-up Cam with 109320(803) and 109370(803) ...
91716	1063	Foot Lifter Arm Lever for 91456 ...
†91796	1063	Oil Box for 91797 ...
†91797	1063	Oil Box, complete, Nos. 219(806), 80106, 82459, 82460, 82463, 91796, 109042(806), 109050(806) and two 82462 ...
*94802	---	Crank Connecting Rod Cap for 98664 ...
94872	1698	Crank Connecting Rod Cap Oil Pad for 91317 and 98664 ...
94967	853	Feed Bar Retaining Spring ...
94972	1598	Oscillating Rock Shaft Steel Plate (top) for 91439, 98615 and 98628 ... (Obsolete)
94973	---	Shuttle Race 91049 with 91054 and two 401(806) for 91056 ...
95080	1260	Shuttle Cylinder ... (Obsolete)
95081	1260	Shuttle Cylinder Latch Spring ... (Obsolete)
95082	1260	Shuttle Frame ... (Obsolete)
95083	1260	Shuttle Tension Spring ...
95093	1467	Shuttle Bobbin for 95096 and 98622 ...
95094	1467	Shuttle Cylinder for 95096 and 98622 ...
95095	1467	Shuttle Tension Spring for 95096 and 98622 ...
95096	1467	Shuttle (Cylinder) 2½" diam., complete, Nos. 233(806), 91042, 91043, 95093 to 95095, 95180 and 109377(806) ... (Obsolete)
95186	1467	Shuttle Frame for 95096 ... (Obsolete)
95197	1487	Bobbin Winder Stop Latch for 95198 ...
95198	1488	Bobbin Winder, Nos. 35(804), 1620(809), 27302, 27303, 27540, 27541, 50356(802), 95197, 98673 and two wood screws 1" No. 7 R.H. for 95199 ...
95199	---	Bobbin Winder (Swinging Automatic, Right Hand), complete, Nos. 27308 and 95198 for 95093 ...

† For Two-Tone Machines the finish of these parts is Grey Metallic (Colour Code No. 728).

From the library of: Diamond Needle Corp.

Part No.	Plate	Description
98607	1698	Shuttle Driver ... ..
98613	1698	Crank Connecting Rod Hinge Stud (Obsolete)
98614	1698	Crank Connecting Rod Hinge Stud Cotter Pin for 98640 ... ..
98615	1698	Oscillating Rock Shaft with 91025, 94972 and two 91026 ... .. (Obsolete)
98619	1694	Shuttle Frame for 98622 ... ..
98622	1694	Shuttle (Cylinder), 2½" diam., complete, Nos. 91042, 91043, 95093 to 95095, 98619, 109377(806) and 109574(804) ... ..
98626	755	Foot Lifter Foot Lever Spring for 91454 ... ..
98627	1740	Crank Connecting Rod Hinge Stud for 98640 ... ..
98628	1740	Oscillating Rock Shaft with 91025, 94972 and two 91026 ... .. (Obsolete)
98635	2000	Oscillating Shuttle Shaft Crank with 453(803), 1518(805) and 113262 ... ..
98636	2000	Oscillating Rock Shaft Steel Plate (bottom) for 98638
98637	2000	Oscillating Rock Shaft Steel Plate (top) for 98638 ... ..
98638	2000	Oscillating Rock Shaft with 98636, 98637, two each 1698(803) and 109537(805) for 98640 ... ..
98640	---	Oscillating Rock Shaft, complete, Nos. 1668(803), 98614, 98627 and 98638 ... ..
98642	870	Oscillating Rock Shaft Hinge Pin ... ..
98664	868	Crank Connecting Rod with 94802, 94872 and two 109779(805) ... ..
98673	1487	Bobbin Winder Spindle with 15072 for 95198 ... ..

Part No.	Plate	Description
109022(806)	1601	Thread Take-up Lever Hinge Screw ... ..
109032(806)	1601	Shuttle Race Bearing Clamping Screw ... ..
109038(803)	1601	Driving Attachment Lever Bracket Screw for 91309
109039(803)	1601	Oscillating Shuttle Shaft Bushing Set Screw ... ..
109042(806)	1062	Oil Box Stud Screw Set Screw for 91797 ... ..
109045(804)	1601	Crank Connecting Rod Hinge Screw Set Screw (Obsolete)
109045(804)	1601	Face Plate Screw (to attach to machine) ... ..
109046(806)	1601	Shuttle Tension Spring Adjusting Screw (Obsolete)
109050(803)	1601	Roller Arm Lock Spring Screw for 82435 ... ..
109050(806)	1601	Thread Eyelet Screw for 91007 ... ..
109050(806)	1601	Oil Box Oil Pad Screw for 91797 ... ..
109056(804)	1601	Bobbin Winder Bracket Screw for 91448 and 91477
109065(806)	1601	Presser Foot Screw ... ..
109115(804)	1601	Feed Regulator Thumb Screw ... ..
109186(804)	1601	Presser Bar Lifter Hinge Screw ... ..
109310(804)	---	Binder Base Spring Regulator Thumb Screw for 85751 ... ..
109313(803)	1601	Crank Connecting Rod Hinge Screw (Obsolete)
109316(804)	1602	Presser Bar Screw Bushing ... ..
109317(806)	1602	Tension Screw Stud for 82502 ... ..
109320(803)	1602	Thread Take-up Cam Set Screw for 91403 and 91617
109329(803)	1602	Roller Arm Bracket Clamping Screw for 82435 ... ..
109370(803)	1062	Thread Take-up Cam Timing Screw for 91617 ... ..
109377(806)	1467	Shuttle Tension Spring Adjusting Screw for 95090 and 98622 ... ..
109395(806)	1062	Oil Box Stud Screw ... ..
109531(803)	2000	Oscillating Rock Shaft Hinge Pin Set Screw Bearing
109537(805)	2000	Oscillating Rock Shaft Steel Plate Binding Screw for 98638 ... ..
109568(804)	1602	Shuttle Guard Thumb Screw for 91056 ... ..
109574(804)	1602	Shuttle Cylinder Latch Spring Screw for 98622 ... ..
109576(803)	---	Feed Lifting Rock Shaft Screw Centre ... ..
109576(803)	---	Feed Rock Shaft Screw Centre ... ..
109779(805)	---	Crank Connecting Rod Cap Screw for 91004, 91269, 91317 and 98664 ... ..
109779(805)	---	Needle Bar Connection Clamping Screw for 91022 ... ..
109779(806)	---	Shuttle Race Slide (back) Screw for 45K11 Machine
109779(806)	---	Throat Plate Screw for 45K11 Machine ... ..

## NUMERICAL LIST OF PARTS

Part No.	Plate	Description
113008(805)	1603	Shuttle Race Bearing Clamping Screw Nut ...
113028(803)	1603	Driving Attachment Lever Hinge Screw Nut for 91309 ... ..
113224	1603	Thread Take-up Lever Roller and Screw Stud for 82453 ... ..
113225	868	Roller ( $1\frac{1}{2}$ " diam. $\times$ $\frac{5}{16}$ " face) with 378(803) and 1520(813) for 82435 ... ..

## NUMERICAL LIST OF PARTS

Part No.	Plate	Description
----------	-------	-------------

NUMERICAL LIST OF PARTS

77

Part No.	Plate	Description
120342	1600	Oilcr... (Accessories)

161295	—	Screw Driver (small) ... (Accessories)
--------	---	--